

AC Series

Access control AC

Surface mount

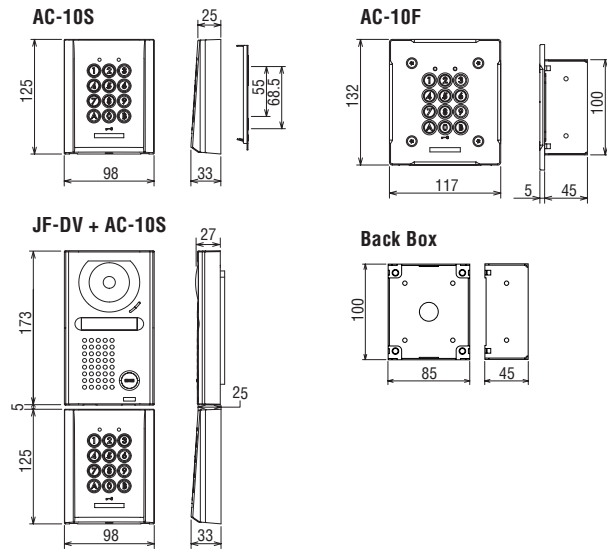


Flush mount



- Up to 100 user codes (#1 relay: 60, #2 relay: 40)
- 4, 5 or 6 digits user code length
- 2 relays (both of relays have N/O and N/C)
- Keypad lockout function
- Anti-tailgate function
- One push door release with external timer connection

Unit dimensions



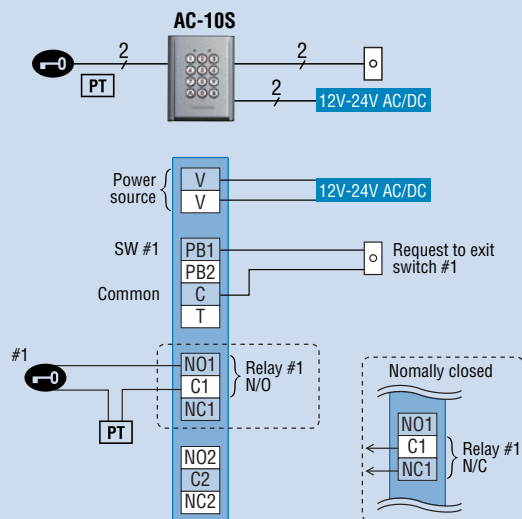
Specifications (AC-10S, AC-10F)

Power source	12 - 24V AC or 12 - 24V DC
Consumption	AC: Max. 100mA, DC: Max. 70mA
Relay	Output: 2 Contact rating: 24V AC/DC, 3A (resistive load), 1A (inductive load) Dry contact: Normally open or Normally closed Operating time: From 1 second to 99 seconds
Access code	Number: Up to 100 (#1: 60, #2: 40) Code length: From 4, 5, or 6, (0 ~9, A, B)
Wiring	Two conductors
Wing distance	Unit-Power supply Power supply: 12-less than 18V AC/DC diameter $\phi 0.65$ - $\phi 1.0$ mm: 100mm Power supply: 18-24V AC/DC diameter $\phi 0.65$ - $\phi 1.0$ mm: 300mm Unit-Request to exit/entry button · Timer diameter $\phi 0.65$ - $\phi 1.0$ mm: 300mm Unit-(RY) The wiring distance will depend on the specifications of the device to be connected.
Environment	Weather resistant (IP54)

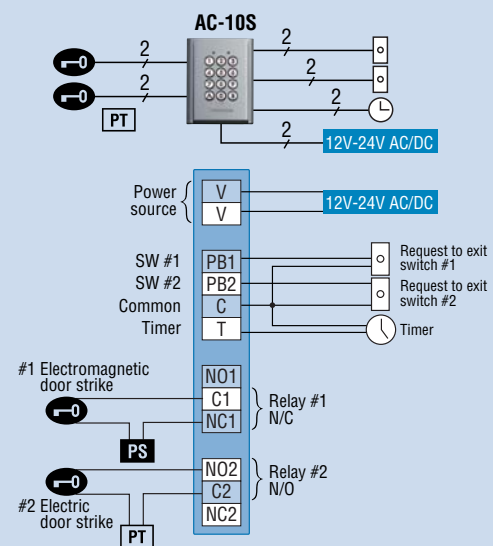
Wiring

PT : AC Transformer
PS : Power supply

1. Relay #1 (Normally open)



2. Relay #1 (Normally closed) & Relay #2 (Normally open)



AIPHONE

AC Series

Aiphone introduces the Access Control Keypad that matches variety of buildings.



Single-family house



Office building

AC-10F



Apartment



AC-10S

Distributed by :



AIPHONE®
Providing Peace of Mind
<http://www.aiphone.com/>

AC(E)0108A

All rights reserved. All statements valid at time of printing. The design and specifications are subject to change without notice for improvement.

Printed in Japan (E)
QA50040AYZ

Stylish Design
Flexible Settings
More Security

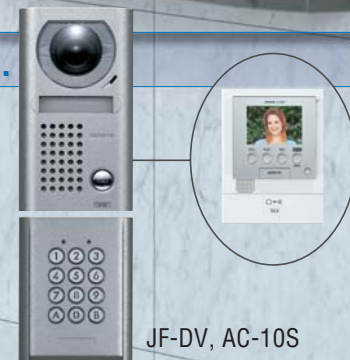
Access Control Keypad

AC Series

What type of building is it?

Aiphone's AC Series Access Control Keypad keeps unauthorized individuals out of secured buildings. The stylish design matches both contemporary and traditional architecture for use in a variety of buildings, such as businesses, apartment buildings, and single family homes.

No matter what type of building, the AC Series is a perfect match!



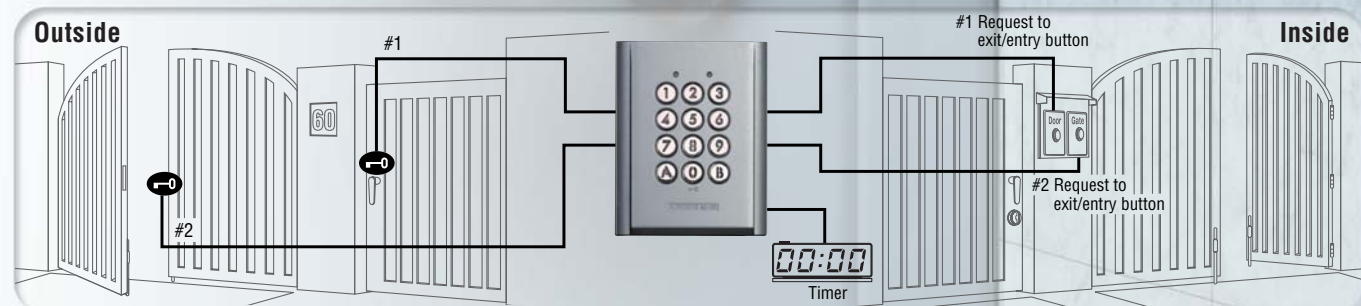
For added convenience, use the AC Series with a video entry system.

AC Series for residents and video entry security

Use the AC Series Access Control Keypad to allow quick access to residents and a video door station for visitors.

Matching design is available!

The design of the AC-10S surface mount matches with Aiphone's JF-DV color video door station.



The stylish design enhances the appearance of a building.

Two types are available.

Choose either the AC-10S surface mount or the AC-10F flush mount according to the installation environment.



AC-10S
Surface Mount



AC-10F
Flush Mount

Vandal resistant zinc die-cast panel

Both the surface mount and flush mount styles are vandal resistant zinc diecast panels.



Customizable design

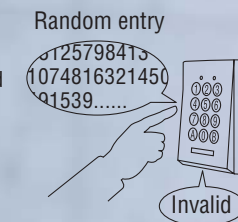
The numeric key pad is available without a panel. You can make an Access Control of your own panel design.



Security is important.

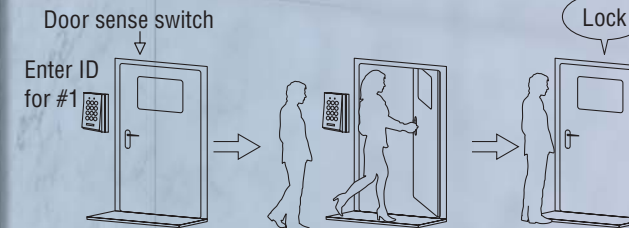
The lockout function never allows a lock opening by random key entries.

If incorrect access codes are entered (10 to 99 times of your choice), the keypad becomes invalid for a programmed period (10 to 99 seconds). It prevents a lock from opening by random key entries.



Auto-relock (Anti-tailgate) function prevents unwanted visitors.

It locks a door or a gate 1 second after it is closed even during programmed relay on-time, which prevents intruders from sneaking into a building. It can be safely used even at a busy area.



External output is available to set the alarm notification.

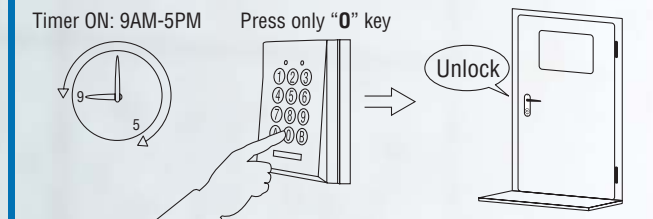
When the sensor activates the "Lockout" or forced entry, relay #2 activates an alarm to let people in the building know the emergency condition. It meets the needs for high security.



The flexible settings satisfy your needs.

One push door release is available.

A door or a gate can be opened by pressing the "0" key when a timer is in use. (An external timer connection is required.)



Two relay outputs can be applied.

Two independent relay outputs (N/O or N/C) are available. For example, use relay #1 for a parking gate and #2 for a building entrance. When the same access code is programmed for #1 and #2, two relays activate simultaneously.

Key illuminator setting can be changed.

The illuminated keypad is easy to read in dark environments. The illuminator can be always on, or you can set it to be on for a specified time (10 to 99 seconds) after any key is pressed.



Up to 100 user codes can be programmed. (#1 relay: 60 & #2 relay: 40, 4 to 6 digits)

Accommodate a multi-tenant apartment building or a large business park.

Buzzer sound can be ON or OFF.

Choose the setting to match your needs.

Other features

Comes with tamper-proof screws.

Two LED indicators (orange & green) show the status.

