

The Intelligent 4 Door Access module has been specifically designed to meet the highest levels of system integrity and redundancy planning. The Intelligent 4 Door Access module effectively combines offline stand-alone operation with enhanced feature design.

### Incredible power and functionality

The four door intelligent access module fully supports the advanced Concept access control features: i.e. soft / hard / timed anti-passback, dual user, card and PIN, free access via timezones etc.

### The Intelligent Access Module Expander Board

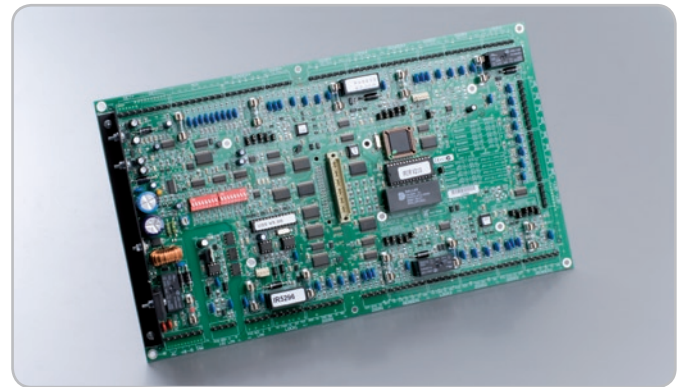
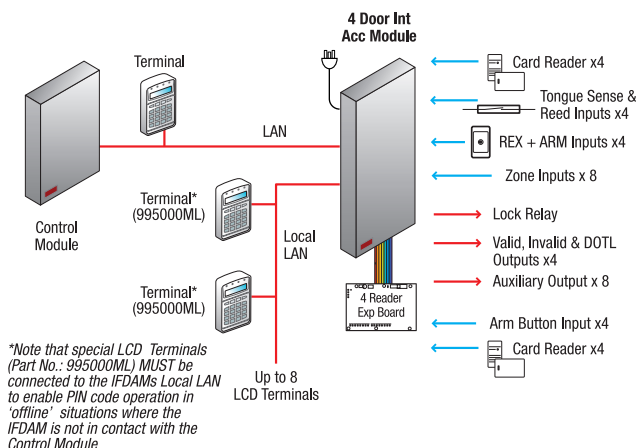
This board allows the Intelligent 4 Door Access Module to control up to 4 doors with Card In / Card Out operation using 8 card readers. Part number: 995013.

### Features:

- Four doors via four card readers (Expandable to 8 card readers with 995013)
- On board 3 amp supply
- Four onboard lock relays
- Optically isolated LAN input provides 5kV isolation for protection from surges
- Separate valid, invalid and Door Open Too Long (DOTL) output for each door
- Separate reed, tongue, Request to Enter (REN), Request to Exit (REX) & Arm inputs for each reader
- All card reader interfaces operate with common magnetic swipe and Wiegand readers without the need for any additional interfaces
- Onboard review buffer for offline operation
- Each card reader may be independently configured, allowing a combination of card reader technologies
- Door open too long pre warn function

### Connectivity

The 4 Door Access Module is connected directly to the Concept RS485 LAN. Up to 64 of the 4 Door Intelligent access modules may be installed in a single panel system.



### SPECIFICATIONS

#### Physical

Cabinet Dimensions	702(L) x 358(W) x 85(D) (mm)	
Installation Environment	0°C - 40°C @15 - 85% Relative humidity (non-condensing)	

Cabinet Battery Bracket	To suit 12V 17AH Sealed Lead Acid battery	
-------------------------	---	--

#### Electrical

	PCB versions	Transformer Versions
Mains Input Voltage	N/A	240VAC 50Hz
Mains Input Current	N/A	500mA
Input Voltage to PCB	16-18VAC	16-18VAC
Fuse Protection	Separate fuses for battery, Siren 1, Siren 2, LAN & Detector Power	

#### Current Consumption

	N/A	3A
Total Current Limit	N/A	3A
Operational Current (No peripherals connected)	450mA	450mA
(995013 connected No peripherals)	610mA	610mA
Recommended current allowance for battery charging	N/A	300mA
Available Current (for detectors, auxiliaries, relays, etc).	Power supply source dependent	2A

#### Inputs

Zone Inputs	8 General purpose Zone Inputs
Door Inputs	Door reed, REX, REN, Arm & tongue sense per door
Reader Ports	4 (Expandable to 8 using Intelligent Reader Expander 995013)

#### Outputs

Relay	4 (Typically used for door locks)
Outputs (open collector)	24 (8 General purpose; Separate valid, invalid and DOTL output for each door)

### Ordering Options

#### 994012

Intelligent Four Door Access Module



#### 995013

Reader Expander Board for Intelligent Four Door Access Module

