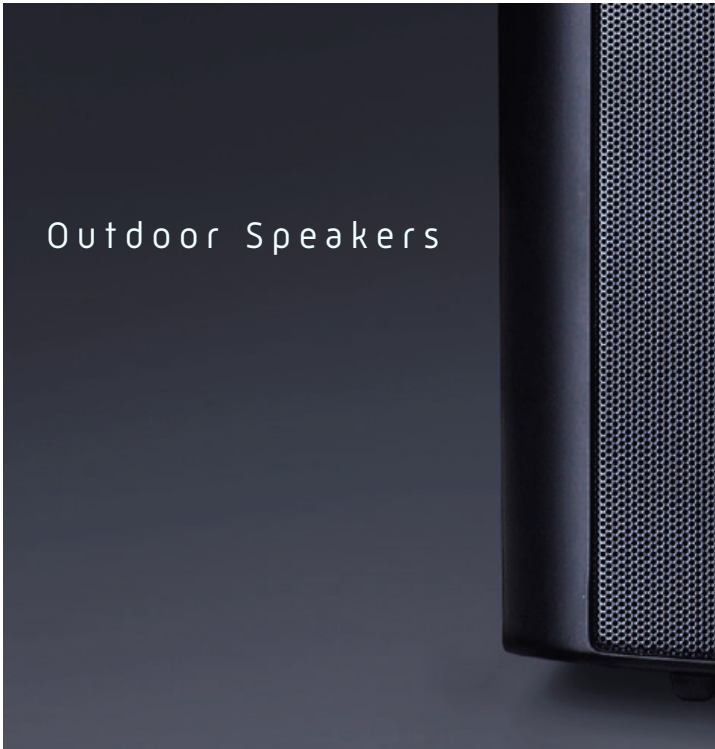


Just because you are outside doesn't mean you have to suffer inferior quality sound. Krix's range of outdoor loudspeakers are fully weatherproof and meet IP standard 54 for dust and moisture resistance. Whether you are using them in commercial applications or beside the pool at home, Krix's outdoor speakers will deliver...come rain, hail or shine.

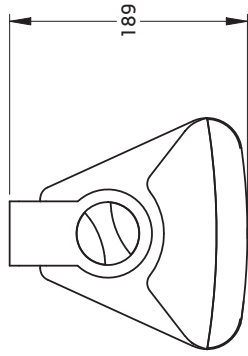


aquatix
experience alfresco

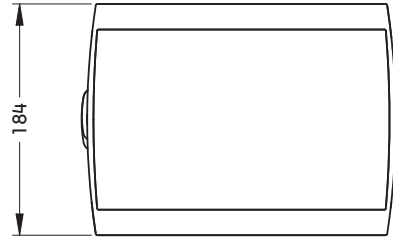
Krix has risen to the challenge of delivering high quality outdoor sound reproduction within a marine grade waterproof, all weather enclosure. Internal ribs reinforce the UV-stabilised polymer housing to minimise panel resonance. Special treatment beneath the Mylar tweeter's dome improves high frequency response, while the bass driver is given a pre-determined operating range within the fully sealed cabinet, delivering fast, punchy bass. The speaker is fitted with an aluminium grille and mounting bracket, plus marine grade stainless steel hardware to protect against corrosion.

Frequency Range	70Hz - 20kHz on wall response
Power Handling	Maximum 80 watts RMS amplifier power. Polyswitch protection has been installed for the tweeter
Sensitivity	87dB for 2.83 volts at 1 metre
Configuration	5 inch 2-way
Bass Drivers	Nominal 130mm (5") polypropylene cone with rubber surround. 25mm (1") high temperature voice coil wound on a radial vented kapton former
Tweeter	22mm (1") specially damped mylar dome with phase plug. Ferro fluid cooled
Crossover Point	3kHz
Impedance	Nominally 8 ohms
Enclosure Type	Sealed and gasketed waterproof trapezoid enclosure with internal bracing. Injection moulded with UV stabilizing
Dimensions	250mm high x 185mm wide x 190mm deep
Finish	Painted satin white or black.
Input Terminals	5 way hand tightened binding posts, nickel plated
Weight	2.5kg each including bracket
Mounting	Adjustable 'U' shaped aluminium bracket

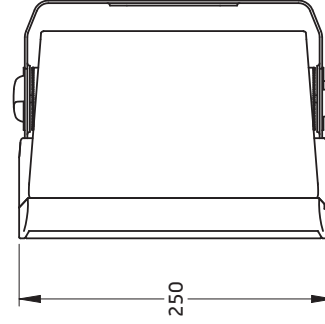
NB: Image shows logo badge with vertical orientation. Product is supplied with horizontal orientation as standard.



top view



front view



side view

