



NESS

Security Products



SECURITY • CCTV • ACCESS CONTROL
REFERENCE CATALOGUE 2005





consistent™
TIC
o
V
value



ELK Products

Security Products

www.ness.com.au



IDTECK

Head Office:

Ness Security Products Pty Ltd
ABN 28 069 984 372
4 / 167 Prospect Hwy
Seven Hills NSW 2147 Australia
Ph +61 2 8825 9222
Admin Fax +61 2 9838 8508
ness@ness.com.au



Access Control Products

SYDNEY

4 / 167 Prospect Highway
Seven Hills NSW 2147
Ph 02 8825 9222
Fax 02 9674 2520
sales@ness.com.au



Manufacturing

MELBOURNE

24 Terracotta Drive
Blackburn VIC 3130
Ph 03 9875 6400
Fax 03 9875 6422
nessmelb@ness.com.au



Quality
Endorsed
Company
ISO9001
LIC.No. QEC2074
NSW Head Office only

BRISBANE

Unit 3, 471 Lytton Road
Morningside QLD 4170
Ph 07 3399 4910
Fax 07 3217 9711
nessbris@ness.com.au



PERTH

Unit 1, 567 Newcastle Street
West Perth WA 6005
Ph 08 9328 2511
Fax 08 9227 7073
nessper@ness.com.au



ADELAIDE

13 Weaver Street
Edwardstown SA 5039
Phone: 08 8277 7255
Fax: 08 8276 3028
adelaide@ness.com.au



NESS MANUFACTURED PRODUCTS



COPYRIGHT NOTICE

All rights reserved. No part of this publication may be reproduced, transmitted or stored in a retrieval system in any form or by any means, electronic, mechanical, photocopying, recording, or otherwise, without the prior written permission of Ness.

Ness reserves the right to make changes to features and specifications at any time without prior notification in the interest of ongoing product development and improvement. Photographs are for illustrative purposes only. Actual products may vary.



PAGE 5-13
NESS M1 CROSS PLATFORM CONTROLS



PAGE 14
NESS D8X/D16X CONTROL PANELS now with powerful access control features



PAGE 28-33
"IT'S A WIRELESS WORLD"



PAGE 36
NESS QUANTUM SONIC PIR+SIREN



PAGE 56-58
NESS DIGITAL SERIES CAMERAS



PAGE 42-45
NESS PRO SERIES DVRs WITH RAID



PAGE 62-65
NESS DOME CAMERAS



PAGE 66-69
NESS TUBE CAMERAS



PAGE 90
NESS ULTRAPROX™ versatile standalone access control



PAGE 14
Ness D8x/D16x control panels now with powerful access control features



PAGE 92
Full range of proximity cards / fobs / tags / active cards & accessories



PAGE 84-85
NESS BIOMETRICS
Fingerprint/Voice/Face readers
Yesterday's Science Fiction - Today's Technology

SECURITY

5-13	NESS-ELK CONTROL PANELS
14-21, 28	NESS CONTROL PANELS
23	NESSENSOR, SMOKE DETECTORS, GLASS BREAK
24-27	MOTION DETECTORS
29	RADIO RECEIVERS
30	RADIO MOTION DETECTORS
31-32	RADIO TRANSMITTERS
34	BATTERIES, POWER SUPPLIES
35	CABLE & ACCESSORIES
36	SATELLITE SIRENS, QUANTUM SONIC PIR+SIREN
37	SIRENS & STROBES
38-39	SWITCHES & ACCESSORIES

CCTV

42-45	DVRs - <i>PRO SERIES</i>
46-48	DVRs - <i>PRACTICAL SERIES</i>
50-51	DVRs - <i>COMPACT SERIES</i>
54-55	SPEED DOME
56-58	CAMERAS - <i>DIGITAL SERIES</i>
59	CCTV LENSES
60-61	CAMERAS - <i>ZOOMCAM, IP CAM, SMOKEVIEW, CCTV BOLLARD</i>
62-65	CAMERAS - <i>DOME</i>
66-69	CAMERAS - <i>IR ILLUMINATED, TUBE CAMERAS</i>
70-71	MONITORS
72-73	SWITCHERS, MULTIPLEXERS, CCTV SIGNAL ACCESSORIES
75	PRO SERIES CAMERA HOUSINGS
74-79	CCTV ACCSSORIES, POWER SUPPLIES, MONITOR BRACKETS

ACCESS CONTROL

82-83	CONTROLLERS
84-85	FINGER READERS, FACE READERS
86-87	PROXIMITY CARD READERS
88	LONG RANGE PROX READERS
89	KEYPADS
90	ULTRAPROX™ STANDALONE SYSTEMS
91	ACCESSORIES
92-93	PROXIMITY CARDS & FOBS
94-95	DOOR STRIKES, MAGNETIC LOCKS
96-97	SOFTWARE APPLICATIONS
98-99	INTERCOMS, POWER SUPPLIES



THE NESS SECURITY PRODUCTS STORY

When you choose Ness products you are selecting from a range of the very best security equipment available anywhere in the world. All Ness Security products are manufactured in Australia using the modern technology and techniques which have established Ness as a world class manufacturer for over 30 years.

Ness products have enjoyed significant export success and are currently being used in diverse markets and environments the world over.

A testimony of Ness' commitment to innovation and quality are the numerous Australian Design Awards and Industry Achievement Awards won over many years of dedication to quality manufacturing. This quality and success is a result of the decades of experience out of which grew the Ness philosophy of "With a Sale Comes Support"



NESS QUALITY MANUFACTURING

Ness Security Products are accredited to the internationally recognised Quality Standard ISO9001/2000. Meticulous adherence to this standard and our financial commitment to our multi-million dollar manufacturing facility at Seven Hills, NSW, is indicative of our commitment to excellence in manufacturing.



NESS SELECT DEALER PROGRAM

THE PROGRAM

The Ness Select Dealer Group is a selection of professional, high achieving security companies with a common aim.

Membership of the Ness Select Dealer group identifies you as an authorised installer of Ness security products with the added benefit of the Ness "Manufacturer's Guarantee" and access to the exclusive Ness monitoring program.

THE BENEFITS

- Exclusive monitoring program
- National Yellow Pages advertising
- Your company details on the national Select Dealer 1300 telephone number
- The backing of Ness Security Products, Australia's largest security manufacturer
- "No risk" backup for your customers
- The Select Dealer brochure promoting you as a professional company
- Group promotion on the Ness web site
- Identification as a factory trained professional
- Monthly specials only available to Select Dealers
- Select Dealer clothing badges to help identify your personnel as professionals
- Purchase all your stock at the best price break, regardless of quantity
- Access to special in-house training and information
- Participate in value added services such as Select Dealer displays at home shows
- Special Select Dealer warranty rebate



AUTHORISED
NESS
Security Products
Select Dealer





CCTV Products

Consistent™
Commitment
To
Value

NESS CCTV PRODUCTS

REFERENCE CATALOGUE 2005

Ness Pro series

Professional DVR systems

Not just a step ahead... A light year in front!

HIGH FRAME RATES

The entire **Ness Pro Series** range of DVRs offers exceptionally fast **recording** frame rates to take their place at the very high end of current industry standards.

The Pro 16/15 can provide a combination of **real time** or time lapse recording for each camera or constant 12 frames per second recording over **all 16 cameras**.

HIGH CAPACITY

DVR users are increasingly demanding larger video storage at high frame rates. The Ness Pro Series provides a solution to this complex problem.

Pro Series DVRs maximise storage space and image quality using highly efficient proprietary MPEG4 video compression with adjustable frame sizes and resolution on a **per camera** basis.

The ultra high capacity Pro 16/15 has provision for onboard storage of up to 4.2 Terabytes using 300GB hard drives.

BUILT-IN RAID

Without question the greatest potential disaster for DVR users is the loss of critical video due to the failure of a hard drive.

The Pro 16/15 has **onboard RAID** hard drive management for total control over the level of video security. The RAID system can be configured to spread video frames over multiple hard drives to provide maximum redundancy and ensuring **zero data loss** in the event of hard drive failure.

Specifications	PRO 16/15 Part No. 100-411	PRO 16/8 Part No. 100-409
----------------	-------------------------------	------------------------------

SYSTEM		
Operating system	Embedded Linux	
Video Input	16 BNC, PAL Composite	
Video Output	1 VGA connector. 1 S-Video	
Network	PSTN, LAN, Internet	
Compression Format	MPEG-4 Full Frame Capture or layered capture (Global selection)	
Multi-Tasking	Simultaneous recording, monitoring, playback and remote viewing	
Interface	Graphic User Interface by mouse and keyboard	
VIEWING		
Display Resolution	704x576, 352x288, 176x144	
Display Speed	Real time	
Split Screen	1, 4, 9, 16 & Sequential Display	
Image Display Adjustment	Brightness / Contrast / Hue / Saturation adjustment selectable per camera	
RECORDING		
Recording Resolution	704x576, 352x288, 176x144 selectable per camera	
Recording Speed	192 frames/second global (25fps max. per camera)	
Motion Detection	6 motion detection areas, 5 levels of sensitivity and 10 levels of differential settings per camera	
STORAGE		
RAID built-in	Yes	
RAID modes	0, 1, 0+1, 3, 5	
Hard Disk Drive/s	Up to 15 x IDE hard drives (not supplied)	Up to 8 x SERIAL ATA hard drives (not supplied)
REMOTE FUNCTIONS		
Remote Access	Internet Browser / Remote Playback / Remote Download / Remote Set-up	
OTHER		
Data Export	External USB CD-RW optional.	7-in-1 Flash Card Reader built-in, CD-RW burner built-in,
Advanced network features	Optional Software Probe allows network backup by N.A.S. / S.A.N. and network time sync using NTP (Network Time Protocol)	
Speed Dome Camera	Major speed dome cameras protocols supported	

See the Ness Pro Series brochure for a full list of features and specifications. www.ness.com.au/proseriesdvr.htm

¹ Based on 300GB hard drives.





REAL TIME

RECORDING & VIEWING

BUILT-IN RAID DATA PROTECTION



REAL TIME

RECORDING & VIEWING

BUILT-IN RAID DATA PROTECTION

PRO 16/15 16 CHANNELS UP TO 15 HARD DRIVES

PRO SERIES 16/15 DVR

Featuring provision for up to 15 removable hard drives, the Ness Pro 16/15 provides up to 4.2 Terabytes of video storage using 300GB hard drives, which can translate into up to a year of non-stop video recording at low frame rates.

The onboard RAID feature protects against video loss caused by HDD failure. Pro 16/15, providing the best possible value in a high end DVR. With USB ports for connection of external data backup devices such as USB CD-RW burner.

Supplied with keyboard, mouse, hot swap shells, manuals. Hard drives not included.

100-411 **Pro 16/15 DVR with RAID**

SUPPORTS UP TO 15 INTERNAL HARD DRIVES



FULL LIST OF HARD DRIVES ON PAGE 45

PRO 16/8 16 CHANNELS UP TO 8 HARD DRIVES

PRO SERIES 16/8 DVR

The Pro 16/8 has large storage capacity with up to 8 removable Serial-ATA hard drives providing up to 2.4 Terabytes of video storage.

The Pro 16/8 includes a built-in CD-RW burner and 7-in-1 memory card reader for copying footage.

With onboard RAID for protection against video loss caused by HDD failure.

Supplied with keyboard, mouse, hot swap shells, manuals. Hard drives not included.

100-409 **Pro 16/8 DVR with RAID**

SUPPORTS UP TO 8 INTERNAL HARD DRIVES



FULL LIST OF HARD DRIVES ON PAGE 45

NESS PRO 16/15 AND PRO 16/8 FEATURES

- Real-time camera displays.
- Embedded Linux operating system for reliability and stability.
- High-speed and high resolution monitoring and recording.
- Hot swap removable hard drive bays (except Pro 4/1, built-in).
- High compression rates using a proprietary MPEG-4 codec.
- Multi-media data backup with built-in 7-in-1 memory card reader, (optional on Pro 16/15).
- High speed CD-RW burner for video storage, copying & archiving.
- Rapid video search by date, time, camera, events or tagged event.
- Image adjustment function control on contrast, brightness, hue and saturation on a per camera basis.
- Flexible Motion Detection setup with multiple motion areas and 10 levels of sensitivity on a per camera basis.
- Remote access for real-time surveillance, playback, image download and DVR setup by LAN/Internet/Modem (no extra software required).
- Optional offsite storage using N.A.S. / S.A.N. network protocols and time sync by NTP (Network Time Protocol).
- Diagnostic functions for HDD storage / HDD status / Video loss.
- Supports Ness Speed Dome and major third party Speed Dome brands.
- Flexible recording control per camera, continuous recording, motion detection recording, alarm recording and scheduled recording.
- Automatic reboot to resume Record Mode on power failure.
- Sequential live video matrix display function.
- User access is managed by the administrator with multiple security levels.
- Alarm/event notification on-screen, remotely via email, voice messages to telephone, mobile phone and alarm captured pictures through Fax.
- SCSI option for external storage expansion.

Professional DVR systems

Pro series



RECORDING & VIEWING



PRO SERIES

4-16

CHANNELS

UP TO 2

HARD DRIVES

Specifications	PRO 4/2, PRO 8/2, PRO 12/2, PRO 16/2
SYSTEM	
OPERATING SYSTEM	Embedded Linux
VIDEO INPUT	4, 8, 12 or 16 BNC, PAL Composite
NETWORK	PSTN, LAN, Internet
COMPRESSION FORMAT	MPEG-4 Full Frame Capture or layered capture (Global selection)
MULTI-TASKING	Simultaneous recording, monitoring, playback and remote viewing
INTERFACE	Graphic User Interface by mouse and keyboard
VIEWING	
DISPLAY RESOLUTION	704x576, 352x288, 176x144
DISPLAY SPEED	Real time
SPLIT SCREEN	1, 4, 9, 16 & Sequential Display
IMAGE DISPLAY ADJUSTMENT	Brightness / Contrast / Hue / Saturation adjustment selectable per camera
RECORDING	
RECORDING RESOLUTION	704x576, 352x288, 176x144 selectable per camera
RECORDING SPEED	192 frames/second global (25fps max. per camera)
MOTION DETECTION	6 motion detection areas, 5 levels of sensitivity and 10 levels of differential settings per camera
STORAGE	
RAID PROTECTION	Optional add-on
HARD DISK DRIVE/S	Up to 2 x IDE Hard Drives (not supplied)
OTHER	
DATA EXPORT	7-in-1 Flash Card Reader built-in, CD-RW burner built-in,
ADVANCED NETWORK FEATURES	Optional Software Probe allows network backup by N.A.S. / S.A.N. and network time sync using NTP (Network Time Protocol)
DIMENSIONS / WEIGHT	483(W) x 528(D) x 177(H)mm / 23kgs
POWER REQUIREMENT	240 VAC 50Hz

PRO SERIES

4-16 CHANNEL WITH DUAL HARD DRIVES

The Ness Pro Series can be configured as a 4, 8, 12 or 16 channel high speed DVR with 192fps global recording frame rate and real time display.

Pro Series can be fitted with up to 2 removable hard drives for total storage of up to 600GB.

Supplied with keyboard, mouse, hot swap shells, manuals. Hard drives not included.

- CD-RW • USB 2.0 • 2 x HDD Bays • 7-in-1 Memory Card Reader

100-479	Pro 4/2 DVR with CDRW
100-404	Pro 8/2 DVR with CDRW
100-468	Pro 12/2 DVR with CDRW
100-405	Pro 16/2 DVR with CDRW



Pro Series may have between 4 and 16 inputs depending on the model.

FULL LIST OF HARD DRIVES ON PAGE 45

See the Ness Pro Series brochure for a full list of features and specifications.
www.ness.com.au/proseriesdvr.htm

Pro series



RECORDING & VIEWING

USB 2.0 • Built-in 120GB HDD • 7-in-1 Memory Card Reader



PRO 4/1

4

CHANNELS

1

HARD DRIVE built-in

PRO SERIES 4/1 DVR

SINGLE CHANNEL DVR WITH BUILT-IN 120GB HARD DRIVE

The Ness Pro 4/1 has all the features of the Pro Series including high speed 100fps frame rates for real time recording. This powerful 4 channel DVR has a built-in 120GB hard drive. Simply connect, record and play.

Supplied with keyboard, mouse, hot swap shells, manuals. 120GB internal hard drive included.

100-398

Pro 4/1 DVR

Specifications	PRO 4/1
SYSTEM	
Operating system	Embedded Linux
Video Input	4 BNC, PAL Composite
Video Output	1 VGA connector. 1 S-Video
Network	PSTN, LAN, Internet
Compression Format	MPEG-4 Full Frame Capture or layered capture (Global selection)
Multi-Tasking	Simultaneous recording, monitoring, playback, remote viewing
Interface	Graphic User Interface by mouse and keyboard
VIEWING	
Display Resolution	704x576, 352x288, 176x144
Display Speed	Real time
Spilt Screen	1, 4 & Sequential Display
Image Display adjust	Brightness / Contrast / Hue / Saturation adj selectable per camera
RECORDING	
Recording Resolution	704x576, 352x288, 176x144 selectable per camera
Recording Speed	100 frames/second global (25fps max. per camera)
Recording Mode	Scheduled Recording – Motion Detection Recording – Alarm Recording – Full Recording
Playback Mode	Normal Playback, Pause, Stop, Fast Forward / Rewind 2x, 4x, 6x, 8x, 10x, Slow Motion 1/2x, 1/4x, 1/6x, 1/8x, 1/10x, Smooth image, sharp image and enlarge image, Simultaneous multi-channel playback (option)
Motion Detection	6 motion detection areas, 5 levels of sensitivity, 10 levels of differential settings per camera
Search Mode	By date, time, events, camera and tagged event
STORAGE	
Hard Disk Drive/s	1 x 120GB IDE Hard Drive (Built-in)
OTHER	
Remote Access	Internet Browser / Remote Playback / Download / Remote Set-up
Data Export	7-in-1 Flash Card Reader built-in, External USB CD-RW burner optional.
Advanced network features	Optional Software Probe allows network backup by N.A.S. / S.A.N. and network time synch using NTP (Network Time Protocol)

PRO SERIES HARD DRIVES

IDE HARD DRIVES

895-056	Maxtor 80GB IDE hard drive for Pro Series
895-057	Maxtor 120GB IDE hard drive for Pro Series
895-060	Maxtor 250GB IDE hard drive for Pro Series
895-064	Maxtor 300GB IDE hard drive for Pro Series

SERIAL ATA HARD DRIVES

895-061	Maxtor 250GB SERIAL hard drive for Pro 16/8 only
---------	---

SPARE SHELLS

165-346	Spare* IDE Hot Swap Shell only
165-347	Spare* SERIAL Hot Swap Shell only

*Hot Swap shells are supplied with all Ness Pro Series DVRs.



PRO SERIES ACCESSORIES

PDA Remote Vision Software
Remotely view any Ness Pro Series DVR on your handheld (web enabled) PDA. A useful tool for roaming guards on large sites, Wi-Fi based.

100-414 Pro Series 4x4 I/O board



16 CH

Specifications	EDSR1600
VIDEO FORMAT	PAL
VIDEO INPUT	16 camera inputs BNC 1V p-p with loop-through
DISPLAY FORMAT	Full, 4, 6, 7, 9, 10, 13, 16, PIP and 2x zoom, for live and playback
VIDEO OUTPUTS	1 x Main monitor BNC video output (1V p-p, 75ohm) 1 x Main monitor S-video output 1 x Call monitor BNC video output (1V p-p, 75ohm) 4 x Matrix outputs BNC video output (1V p-p, 75ohm) 16 x Video out for camera looping (1V p-p, 75ohm)
VIDEO COMPRESSION	M-JPEG
DISPLAY RESOLUTION	720 x 576 pixels
HDD STORAGE	2 x hot swap 3.5" IDE hard disk bays
ARCHIVE	CompactFlash slot
RECORDING MODES	Continuous, Time Lapse recording, Event recording, Schedule
RECORDING/PLAYBACK RATE	50 fps
PLAYBACK SEARCH	By Date, Time, Event, Segment
PICTURE ZOOM FUNCTION	Digital zoom for Live & Playback
VIDEO LOSS DETECTION	Yes
MOTION DETECTION	Configurable detection area and sensitivity
TITLE	12 character title generator for each camera input
USER INTERFACE	Front panel buttons, on screen display setup
AUDIO	2 x mono MIC inputs, 2 x mono SPK outputs
ALARM INPUT / OUTPUT	16 alarm inputs / 1 alarm output
NETWORK INTERFACE CARD	10BaseT Ethernet 10Mbps/s, RJ45 connector
REMOTE ACCESS	<ul style="list-style-type: none"> LAN and Internet via web browser with Java support Maximum 4 users logged in 1-5 fps transfer rate (depending on network conditions) JPEG compression
SERIAL PORTS	RS-232 for local communications, RS485 for remote control
POWER / CONSUMPTION	240V AC / 100W max.
DIMENSIONS	430(W) x 320(D) x 95(H) mm (19" rack mount 1U)
WEIGHT	4.85kg
OPERATING TEMPERATURE	0° to +50°C

DVRs and Hard drives are sold separately.



Fully compatible with the optional 100-480 Ness Hard Drive Review Station.
Review your EDSR600 hard drives from any standard PC anytime, anywhere.

Practical Series DVRs

EDSR1600 16 CHANNEL DVR

16 CAMERA INPUTS, DUAL HARD DRIVE CAPABLE AND SIMPLICITY OF USE

The Ness EDSR1600 digital video recorder is the practical choice of multi-channel video recorders.

Providing a video solution that is easy to install and operates just like a VCR for fast and efficient recording and playback.

HIGH RESOLUTION

The EDSR1600 can record 16 channels of video at a genuine 50 fps, (globally), with real time display for each camera. The latest generation software compression algorithms provides the best possible resolution with sharpness and clarity usually found on DVDs.

PRACTICAL

The EDSR1600 is suited to a variety of applications including retail shop surveillance, banks and cash vaults, industrial monitoring, staff safety and anywhere you need to record multiple cameras 24 hours a day and playback recorded footage any time you need it.

DUAL REMOVABLE DRIVES

Two built-in hot swappable hard drive bays provide ample storage space for recording and archiving. One hard drive can continue recording while the other is removed for swap over.

INTERNET READY

Built-in network card and Internet-ready software means the EDSR1600 can be remotely controlled and viewed using the Ness PowerCon Software.

100-487 EDSR1600 16 channel DVR

FEATURES

- **High Resolution** (720 x 576 pixels)
- **M-JPEG** compression/decompression with configurable quality
- **Duplex operation** for simultaneous recording and playback
- **Real time** display of live cameras
- **Easy to use** control panel with common VCR style controls
- **Jog/Shuttle dial** for picture-by-picture or fast-slow playback
- **Easy retrieval** of stored images using CompactFlash or by LAN
- **CompactFlash** slot for retrieving still images
- **Dual Hot Swap** Hard Drive Bays for long recording times
- **Remote Surveillance** built-in LAN card
- **Internet ready** via Web browser
- **Remote connect** via LAN/WAN/ADSL using the Ness EDRmanager or Ness Powercon3™ Software. (Requires broadband Internet).
- **Pre-Alarm and Post-Alarm** recording avoid missing events
- **Time Lapse** modes adjustable
- **RS232 and RS485** ports for remote control
- **Alarm activated** recording option
- **Audio recording** capability, 2 mono inputs and outputs
- **Motion detection** with individual config per camera



COMPATIBLE WITH ALL NESS TYPE 3 OPTIONAL HARD DRIVES.

Available in various sizes.
100-720 80GB hard drive in Type 3 shell.
100-721 120GB hard drive in Type 3 shell.
100-722 250GB hard drive in Type 3 shell.

FULL LIST OF HARD DRIVES ON PAGE 52



9 CH

Specifications	EDSR900
VIDEO FORMAT	PAL
VIDEO INPUT	9 camera inputs with loop-through
DISPLAY FORMAT	Full, 4, 6, 7, 8, 9, PIR, 2x2 Zoom, for live and playback
VIDEO OUTPUTS	1 x Main monitor BNC video output (1V p-p, 75ohm) 1 x Main monitor S-video output 1 x Call monitor BNC video output (1V p-p, 75ohm) 4 x Matrix outputs BNC video output (1V p-p, 75ohm) 9 X VIDEO OUT FOR CAMERA LOOPING (1V P-P, 75OHM)
VIDEO COMPRESSION	M-JPEG
DISPLAY RESOLUTION	720 x 576 pixels
HDD STORAGE	2 x hot swap 3.5" IDE hard disk bays
ARCHIVE	CompactFlash slot
RECORDING MODES	Continuous, Time lapse recording, Event recording, Schedule
RECORDING/PLAYBACK RATE	50 fps
PLAYBACK SEARCH	By date, time or event
PICTURE ZOOM FUNCTION	Digital zoom for Live & Playback
VIDEO FREEZE	Freeze frame on live feed
VIDEO LOSS DETECTION	Yes
MOTION DETECTION	Configurable detection area and sensitivity
TITLE	12 character title generator for each camera input
SETUP	On screen display setup
AUDIO	2 x mono MIC inputs, 2 x mono SPK outputs
ALARM INPUT / OUTPUT	9 alarm inputs / 1 alarm output
NETWORK INTERFACE CARD	10BaseT Ethernet 10Mbps/s, RJ45 connector
SERIAL PORTS	RS-232 for local communications, RS485 for remote control
POWER / CONSUMPTION	240V AC / 60W
DIMENSIONS	426(W) x 480(D) x 176(H) mm (19" rack mount 2U)
WEIGHT	4.85kg
OPERATING TEMPERATURE	0° to +50°C

COMPATIBLE WITH ALL NESS TYPE 3 OPTIONAL HARD DRIVES.



Available in various sizes.
100-720 80GB hard drive in Type 3 shell.
100-721 120GB hard drive in Type 3 shell.
100-722 250GB hard drive in Type 3 shell.

FULL LIST OF HARD DRIVES ON PAGE 52

Practical Series DVRs

EDSR900 9 CHANNEL DVR

PRACTICAL 9 CHANNEL DVR

The Ness EDSR900 digital video recorder is the professional's choice of multi-channel video recorders.

Providing a video solution that is easy to install and operates just like a VCR for fast and efficient recording and playback.

High Resolution

The EDSR900 can record 9 channels of video at a genuine 50 fps, (globally), with real time display for each camera. The latest generation software compression algorithms provides the best possible resolution with sharpness and clarity usually found on DVDs.

Practical

The EDSR900 is suited to a variety of applications including retail shop surveillance, banks and cash vaults, industrial monitoring, staff safety and anywhere you need to record multiple cameras 24 hours a day and playback recorded footage any time you need it.

Dual Removable Drives

Two built-in hot swappable hard drive bays provide ample storage space for recording and archiving. One hard drive can continue recording while the other is removed for swap over.

Internet Ready

Built-in network card and Internet-ready software means the EDSR900 can be remotely controlled and viewed using the Ness PowerCon Software.

100-496 EDSR900 9 channel DVR

ADVANTAGES

Duplex Operation

Duplex operation means the EDSR900 can record and playback at the same time. Recording is not interrupted while retrieving footage.

Matrix Outputs

4 Call Monitor outputs with adjustable sequences for each monitor and individual dwell time for each camera. Alarm inputs are able to switch selected cameras or groups of cameras to selected monitors, with timeout or manual reset.

Familiar Front panel

The EDSR900 has familiar and easy to use VCR style controls and friendly step by step on screen menus to simplify operation and minimise user training. The Jog/Shuttle dial gives fingertip control over Forward, Rewind, Pause, Search and menu functions.

Huge Storage

Twin hard drive bays provide ample storage space for recording and archiving. One hard drive can continue recording while the other is removed for swap over.

The CompactFlash slot allows convenient archiving of stills and video for transferring to computer for examination, storage or emailing.



Fully compatible with the optional 100-480 Ness Hard Drive Review Station.

Review your EDSR600 hard drives from any standard PC anytime, anywhere.

DVRs and Hard drives are sold separately.

6 CH



Specifications	EDSR600
VIDEO FORMAT	PAL
VIDEO INPUT	6 camera inputs BNC 1V p-p with loop-through
DISPLAY FORMAT	Full screen, 4, 6, PiP and 2x zoom, for live and playback
VIDEO OUTPUTS	1 x Main monitor BNC video output (1V p-p, 75ohm) 1 x Main monitor S-video output 1 x Call monitor BNC video output (1V p-p, 75ohm) 6 X VIDEO OUT FOR CAMERA LOOPING (1V P-P, 75OHM)
VIDEO COMPRESSION	M-JPEG
DISPLAY RESOLUTION	720 x 576 pixels
HDD STORAGE	2 x hot swap 3.5" IDE hard disk bays
ARCHIVE	CompactFlash slot
RECORDING MODES	Continuous, Time Lapse recording, Event recording, Schedule
RECORDING/PLAYBACK RATE	50 fps
PLAYBACK SEARCH	By Date, Time, Event, Segment
PICTURE ZOOM FUNCTION	Digital zoom for Live & Playback
VIDEO LOSS DETECTION	Yes
MOTION DETECTION	Configurable detection area and sensitivity
TITLE	12 character title generator for each camera input
USER INTERFACE	Front panel buttons, on screen display setup
AUDIO	2 x mono MIC inputs, 2 x mono SPK outputs
ALARM INPUT / OUTPUT	6 alarm inputs / 1 alarm output
NETWORK INTERFACE CARD	10BaseT Ethernet 10Mbps/s, RJ45 connector
REMOTE ACCESS	<ul style="list-style-type: none"> LAN and Internet via web browser with Java support Max. remote users Transfer rate Transfer image format
SERIAL PORTS	RS-232 for local communications, RS485 for remote control
POWER / CONSUMPTION	240V AC / 100W max.
DIMENSIONS	430(W) x 320(D) x 95(H) mm (19" rack mount 1U)
WEIGHT	4.85kg
OPERATING TEMP	0° to +50°C

Practical Series DVRs

EDSR600 6 CHANNEL DVR

THE BEST CHOICE FOR PERFORMANCE, PRICE & PRACTICALITY

The Ness EDSR600 digital video recorder is the practical choice of multi-channel video recorders.

Providing a video solution that is easy to install and operates just like a VCR for fast and efficient recording and playback.

High Resolution

The EDSR600 can record 6 channels of video at a genuine 50 fps, (globally), with real time display for each camera. The latest generation software compression algorithms provides the best possible resolution with sharpness and clarity usually found on DVDs.

Practical

The EDSR600 is suited to a variety of applications including retail shop surveillance, banks and cash vaults, industrial monitoring, staff safety and anywhere you need to record multiple cameras 24 hours a day and playback recorded footage any time you need it.

Dual Removable Drives

Two built-in hot swappable hard drive bays provide ample storage space for recording and archiving. One hard drive can continue recording while the other is removed for swap over.

Internet Ready

Built-in network card and Internet-ready software means the EDSR600 can be remotely controlled and viewed using the Ness PowerCon Software.

100-489 EDSR600 6 channel DVR

ADVANTAGES

Duplex Operation

Duplex operation means the EDSR600 can record and playback at the same time. Recording is not interrupted while reviewing footage.

Familiar Front panel

The EDSR600 has familiar and easy to use VCR style controls and user-friendly step by step on screen menus to simplify operation and minimise user training.

Jog/Shuttle Control

The Jog/Shuttle dial gives precise playback control over Forward, Rewind, Pause, Search and menu functions.

Huge Storage

Twin hard drive bays provide ample storage capacity for recording and archiving. One hard drive can continue recording while the other is removed for swap over.

The EDSR600 provides the facility for copying single frames and video to a Compact Flash card, (not supplied), for transferring to computer or other media.



COMPATIBLE WITH ALL NESS TYPE 3 OPTIONAL HARD DRIVES.

Available in various sizes.
100-720 80GB hard drive in Type 3 shell.
100-721 120GB hard drive in Type 3 shell.
100-722 250GB hard drive in Type 3 shell.



Fully compatible with the optional 100-480 Ness Hard Drive Review Station.

Review your EDSR600 hard drives from any standard PC anytime, anywhere.

FULL LIST OF HARD DRIVES ON PAGE 52

DVRs and Hard drives are sold separately.



Hard drive not included



PowerCon3

NESS HARD DRIVE READER

The Convenient way to review your stored Surveillance video. Take your DVR hard drives off-site for secure viewing. Compatible with Ness EDSR series Hard drives.

- REVIEW YOUR DVR HARD DRIVES OFF-SITE
- WORKS WITH ANY STANDARD PC
- VIEW, COPY, EDIT, SAVE, TRANSFER
- FAST USB2.0 CONNECTION TO YOUR PC
- SOFTWARE SUPPLIED

100-480 EDSR Hard Drive Reader

Specifications	100-480 HARD DRIVE READER
DVR COMPATIBILITY	EDSR series hard drives (except EDSR100)
SOFTWARE FUNCTIONS Operations	Forward/Reverse playback at 0.1 to 16x speed Pause, Step Forward/Reverse, Jump to start or end of segment
Search	Search video by segment list, date/time/alarm Search by alarm list Slide bar to advance video pointer Display current video date/time
Audio Archive	Audio on/off Save still images to BMP or JPG at single/double height Print still images Capture full motion video to AVI or MPEG-4
SUPPORT OS	Win2000, XP
HDD SIZE SUPPORTED	Up to 250GB maximum
FRONT PANEL	LEDs to indicate power and hard drive activity
REAR PANEL	On/Off switch, USB2.0 connection, power connector
POWER SUPPLY	240V desktop power supply included
DIMENSIONS (W X H X D)	155 x 47 x 277mm
WEIGHT	1.35kg
OPERATING TEMPERATURE	-20°C to 50°C

NESS POWERCON3

CONNECT TO ANY SINGLE REMOTE NESS EDSR MODEL DVR.

The Ness PowerCon3 software package allows you to remotely connect to a single remote Ness EDSR DVR site at any one time. PowerCon3 runs on a standard PC and allows remote connection and management. Capatible with all Ness EDSR series DVRs. PC Compatible

- Hardware Lock protected software.
- View a remote Ness DVR using LAN, ADSL.
- Record live from the remote site.
- Live and playback archive of single images and video streams on the internal HDD.
- User friendly graphical interface.
- Total remote management of CCTV sites.
- Remote programming of sites.
- Store config data from remote sites.
- Full archival management of stored video.
- Burn video to CD.
- Print photo quality hard copy of events from remote sites.

100-382 POWERCON 3 Software



Supplied with HDD reader station, PC software, USB2 cable and power supply. (Hard drive not included).

Compact Series DVRs

4 CH



1 CH



COMPACT SERIES DVRs

COMPACT SERIES DVR.

Ness Compact Series digital video recorders offer high quality performance and practical features with extra high resolution at 50 frames/sec global.

Compact Series have a compact 'footprint' and use the Ness Type 3 removable hard drive shell allowing the hard drive to be easily removed and swapped for archiving or reviewing off-site. A Compact Flash slot is provided onboard making it easy to share images and video with a PC.

All Ness Compact Series DVRs incorporate all the benefits of tapeless digital video recording, are simple to install and operate just like a VCR making them the perfect choice for multi-channel video recording where high quality and ease of use is a primary requirement.

Easy to use control panel with common VCR and multiplexer functions and Jog/Shuttle dial for picture-by-picture or fast/slow viewing using the on-screen setup menu and system timer.

The EDSR400H is broadband internet-ready with an onboard LAN card and provision for remote viewing of a site using a standard web browser at the viewing end. Also compatible with Ness EDRmanager which provides online viewing, archiving and configuration.

100-495	EDSR400H 4 channel Compact DVR
100-303	EDSR100H 1 channel Compact DVR

4 CH



1 CH



COMPACT SERIES MOBILE DVRs

RUGGED MOBILE DVR FOR CARS, TRUCKS, BUSES OR ANY VEHICLE. 12V OR 24V DC POWERED.

The single channel and four channel EDSR100M & EDSR400M models are purpose built for mobile applications with toughened housings and mounts built to withstand the shocks and stresses of vehicle installations.

A special mounting kit and internal dampers absorb vibration and up to 10G of shock force. • Mobile DVRs For Cars, Trucks, Buses, emergency Vehicles. • GPS option to record position, longitude, latitude and speed. • Anti-vibration mountings. • 12V or 24V DC operation.

100-497	EDSR400M 4 channel Compact Mobile DVR
100-304	EDSR100M 1 channel Compact Mobile DVR

100-419	EDSR Mobile GPS receiver
---------	--------------------------



Fully compatible with the optional 100-480 Ness Hard Drive Review Station.

Review your EDSR hard drives from any standard PC anytime, anywhere.

DVRs and Hard drives are sold separately.



COMPATIBLE WITH ALL NESS TYPE 3 OPTIONAL HARD DRIVES.

Available in various sizes.
 100-720 80GB hard drive in Type 3 shell.
 100-721 120GB hard drive in Type 3 shell.
 100-722 250GB hard drive in Type 3 shell.

FULL LIST OF HARD DRIVES ON PAGE 44

Specifications	EDSR100H	EDSR100M	EDSR400H	EDSR400M
VIDEO INPUT TYPE	PAL & NTSC			
VIDEO COMPRESSION / FORMAT	M-JPEG, Proprietary Encrypted, Watermarked, Time stamped			
OPERATING SYSTEM	Proprietary embedded			
IMAGE CAPTURE SIZE	720 x 576 pixels			
VIDEO DISPLAY	Full screen		1, 4 / Quad, PIP, 2x2 Zoom, on Main Monitor view	
VIDEO INPUT	1 x BNC Analogue Video Inputs		4 x BNC Analogue Video Inputs	
LOOPED VIDEO OUTPUTS	YES			
IMPEDANCE LEVEL CONTROL	Automatic per channel			
VIDEO OUTPUT	Composite Video outputs, 1 x Main Monitor,		Composite Video outputs, 1 x Main Monitor, 1 x Spot Monitor	
TIMER	Built-in Real-Time Clock			
WATCH DOG TIMER	YES			
AUTO RECOVERY / AUTO REBOOT	Automatic Power Up Reboot to Previous mode, (Record, Standby, or Trigger) Mode, (typically within 60 seconds)			
HDD STORAGE	1 x 3.5" half height IDE, Hot Swap hard drive bay. Supports hard drive sizes up to 300Gb.			
RECORDING MODES	Continuous, Day Timer, Alarm Input trigger		Continuous, Day Timer, Alarm Input trigger, Motion detection	
RECORD / PLAYBACK OPERATION	Simplex Playback / Record		Simplex / Duplex via Ethernet Search / Playback / Record	
VIDEO COMPRESSION QUALITY LEVELS	5 levels compression / 15KB to 35KB Global			
RECORDING/PLAYBACK RATE	50fps Global			
VIDEO MOTION DETECTION	No	No	Programmable Grid, Sensitivity Per camera	
ALARM INPUT	1 Alarm input N/O, N/C programmable		4 Alarm inputs N/O, N/C programmable	
ALARM OUTPUT	1 Alarm output		1 x Alarm Switching Output	
ARCHIVE OUTPUTS / DEVICES	1 x Compact Flash Slot, 1 x Main Monitor output to VCR, EDSR Player Kit and PC Software via external Hard Drive Player		1 x Compact Flash Slot, 1 x Main Monitor output to VCR, PowerCon Software via Ethernet Port, EDSR Player Kit and PC Software via external Hard Drive Player	
REMOTE VIEWING ACCESS	No	No	Ethernet Card included LAN, WAN, ADSL. PowerCon3 Software via Ethernet Port	
LAN, WAN, DIRECT CONNECT	No	No	YES / Ethernet card / port included	
ADSL, BROADBAND CONNECTION*	No	No	YES / via 10 Mbps Ethernet port	
POWER REQUIREMENTS	24V DC power supply (supplied)	Requires 12V or 24V DC from vehicle	24V DC power supply (supplied)	Requires 12V or 24V DC from vehicle
POWER CONSUMPTION (RUN)	1A @ 24V DC	1A @ 24V DC 2A @ 12V DC	1A @ 24V DC	1A @ 24V DC 2A @ 12V DC
POWER CONSUMPTION (BOOT-UP)	1.5A @ 24V DC	1.5A @ 24V DC 3.5A @ 12V DC	1.5A @ 24V DC	1.5A @ 24V DC 3.5A @ 12V DC
DIMENSIONS (mm)	100(h) x 215(w) x 320(d)	110(h) x 215(w) x 320(d)	100(h) x 215(w) x 320(d)	110(h) x 215(w) x 320(d)
WEIGHT (Unit only/inc packaging)	3kg / 6kg	4kg / 6kg	3kg / 6kg	4kg / 6kg
OPERATING TEMPERATURE	0° C to 50° C			
RELATIVE HUMIDITY	5% to 85% Non-condensing			
OPERATING SHOCK	Not applicable	8G, 11ms, 20 per 5sec max	Not applicable	10G, 2ms, 2 per sec max
OPERATING VIBRATION	Not applicable	5-20Hz 1mm double amplitude	Not applicable	5-500Hz 0.7G (0 to peak)



EDSR SERIES HARD DRIVES

Hard drives in a choice of sizes to suit Ness EDSR series DVRs. Supplied in a Ness Type 3 hot swap shell.

HARD DRIVES & SHELLS- COMPATIBLE WITH EDSR SERIES DVRs.

100-720	80GB Hard Drive & Type 3 hot swap shell
100-721	120GB Hard Drive & Type 3 hot swap shell
100-722	250GB Hard Drive & Type 3 hot swap shell

SPARE SHELLS

165-311	Type 3 hot swap shell only
165-314	Type 3 hot swap shell only, silver (To suit "M" series, mobile DVRs)



VARIOUS SIZES AND TYPES OF MEMORY DEVICES ARE AVAILABLE – ASK YOUR NESS BRANCH

PORTABLE MEMORY DEVICES

USB Flash Drives and Compact Flash memory card for transferring data from Ness DVRs (depending on the Model)

Various memory devices



VGA to COMPOSITE CONVERTER

Converts VGA monitor output to Composite Video, allowing a standard CCTV monitor to be used with any Ness DVRs with VGA outputs. This device can also be used for any application where a video output is required instead of VGA.

100-307	VGA to Composite Video Converter
---------	----------------------------------



WHAT IS A DVR?

A Digital Video Recorder (DVR) stores video footage on Hard Disc Drives instead of on video tape.

THE BENEFITS OF DIGITAL VIDEO RECORDING:

MASS STORAGE

Dependant on the system configuration, a DVR could store many weeks of surveillance footage.

INSTANT PLAYBACK

Since the DVR does not use video tape, you can go straight to a selected recording instantly. The comparison is the same as that between your domestic VCR and DVDs - no fast forward, no rewind.

RELIABILITY

By their very nature, video tape recorders *will* wear out. Video tapes are in constant use; tape oxides clog the heads or heads wear out. By contrast, the DVRs only moving parts are inside the hard discs, which these days have a very long service life.

VIDEO INTEGRITY

Ness DVRs store video footage encrypted and watermarked which cannot be tampered with or disputed as evidence.

HOW DOES DIGITAL RECORDING SAVE YOU MONEY?

Simple, by avoiding the need to constantly repair and or replace VCR's as they become tired and clogged up with the oxides from video tapes, by minimising the amount of time staff needs to archive and change tapes and by allowing you to efficiently replay "events" at call instead of having to sit and watch hours of video to find an event.

NESS COMPACT SERIES

1CH & 4CH DIGITAL VIDEO RECORDERS



EDSR100H 1 CHANNEL COMPACT DVR
EDSR400H 4 CHANNEL COMPACT DVR
COMPACT PRACTICAL DVRs



EDSR100M 1 CHANNEL MOBILE DVR
EDSR400M 4 CHANNEL MOBILE DVR
RUGGED MOBILE DVRs



- Mobile DVRs For Cars, Trucks, Buses, emergency Vehicles.
- GPS option to record position, longitude, latitude and speed.
- Anti-vibration mountings.
- 12V or 24V DC operation.

Digital Video Recorders are supplied excluding hard drive. OPTIONAL HARD DRIVES (including Type3 hot swap shell), 80GB, 120GB, 250GB, Hot swap shell only (Type3). OPTIONAL ACCESSORIES: Infrared Remote Control, Compact Flash memory card.

COMPACT DVR SOLUTIONS

For fixed or mobile installations

Ness EDSR100H/M and EDSR400H/M Compact Series digital video recorders are high quality DVRs offering practical features and extra high resolution at 50 frames/sec.

All these DVRs have compact rugged housings and use the Ness Type 3 removable hard drive shell. A Compact Flash slot is provided onboard making it easy to share images and video with a PC.

The Ness Compact Series DVRs incorporate all the benefits of tapeless digital video recording, are simple to install and operate just like a VCR making them the perfect choice for multi-channel video recording where high quality and ease of use is a primary requirement.

Easy to use control panel with common VCR and multiplexer functions and Jog/Shuttle dial for picture-by-picture or fast/slow viewing using the on-screen setup menu and system timer.

The 4 channel models have networking and internet capabilities built-in with onboard LAN card and the ability to be remotely viewed using only a PC with a standard web browser or our powerful Ness Powercon3™ software for total control over remote sites.

An optional infrared remote control is also available.

The single channel and four channel "M" models are purpose built for mobile applications with toughened housings and mounts built to withstand the shocks and stresses of vehicle installations.

A special mounting kit and internal dampers absorb vibration and up to 10G of shock force.

NESS COMPACT SERIES - FEATURING

Tapeless Video Recording MJPEG (720x576)

50fps global recording rate

Simplex Operation (Duplex via EDR Manager or Powercon3 software)

Remote Surveillance EDSR400H/M with built-in LAN card, **Internet ready** via Web browser

Remote connect EDSR400H/M via LAN/WAN/ASDL.

Total Control over multiple sites using the **Ness EDR Manager** or single sites using Ness **Powercon3™** Software.



EDSR series drives are fully compatible with the optional 100-480 Ness Hard Drive Review Station. Allows hard drives to be taken off-site and reviewed using a PC.



NESS SPEED DOME

360° MOTORISED COLOUR DOME SYSTEM

- POWERFUL ZOOM (22X OPTICAL + 16X DIGITAL)
- HIGH RESOLUTION COLOUR CCD (520 LINES)
- PRIVACY MASKING AREAS ON SCREEN
- 80 PRESETS & 4 PATTERN TOURS
- 360° CONTINUOUS PAN, 0° – 90° TILT
- PRECISION BELT DRIVE (NO GEARS TO WEAR OUT)
- IP44 AND IP66 WEATHERPROOF RATED MODELS
- COMPATIBLE WITH POPULAR SPEED DOME PROTOCOLS
- WALL BRACKETS AND MOUNTING KITS ARE SUPPLIED
- CORNER, POLE & PENDANT BRACKETS ALSO AVAILABLE



UPGRADES MADE EASY! Ness Speed Domes and Controller are fully compatible with Ness-D, Pelco-D, Vicon and VCL telemetry protocols for all your upgrades and retrofits.

NESS SPEED DOME

HIGH SPEED PAN/TILT/ZOOM CAMERAS

POWERFUL ZOOM

The Ness Speed Dome is equipped with a precision 22x motorised optical zoom plus 16x digital zoom for powerful closeups.

HIGH RESOLUTION

With more than 520 TV lines of resolution, Ness Speed Domes have the clarity and pixel depth to capture high detail even at maximum zoom levels.

ADVANCED PRIVACY ZONE MASKING

Up to 4 privacy areas can be drawn on screen to mask out any required views. Ensures consistent privacy for selected areas no matter where the camera is pointing or zooming.

PRESETS AND PATTERN TOURS

The Ness Speed Dome supports up to 80 programmable preset PTZ positions and Auto Scan function.

The Pattern Tour feature lets you program the Speed Dome to follow a continuous programmed path, panning, tilting and zooming at any speeds you require, and stopping at selected targets along the way.

SUPERB LOW LIGHT OPERATION

For perfect video day or night, the Ness Speed Domes use extra sensitive CCD chips providing high sensitivity in low light environments of 0.06 Lux and down to 0.002 Lux (100-739 model).

The 100-739 Day/Night model automatically switches to an ultra sensitive B/W mode in poor light for effective operation down to 0.002 Lux.

PRECISION MOTORISED OPERATION

The Ness Speed Dome features a precision belt driven pan and tilt mechanism with no gears to wear out.

High speed panning and scanning gives precise response to operator commands and fast seek in preset mode or when reacting to alarm inputs. The camera can also move at extremely low speed down to 0.5° per second without causing any image vibration.

MULTI-FUNCTION JOYSTICK CONTROLLER




The joystick controller gives full control over all camera functions including pan/tilt, focus, iris, preset settings, preset tours, camera address, alarm activation and acknowledgement, auto pan and links up to 255 Speed Domes via RS485 data link. Up to 4 controllers can be used per system. Compatible with multiple data protocols.

CHOICE OF MODELS

Ness Speed Dome is available in a variety of models to suit many different applications. The 100-737 Flush Mount model can be installed indoors and recessed into the ceiling. The 100-738 Wall Mount model is also intended for indoor use in a wall mount situation using the bracket provided. Additional brackets are available for corner and pole mounting.

The 100-739 Day/Night model is an IP66 weatherproof model with automatic colour/BW switching for ultra low light operation.

The 100-741 Alarm Interface provides 8 inputs and 2 outputs for interfacing alarm events to the Speed Dome preset views and tours.

100-737		SPEED DOME CAMERA Indoor Flush Mount
100-738		SPEED DOME CAMERA Indoor Wall Mount
100-739		SPEED DOME DAY/NIGHT CAMERA Outdoor Wall Mount
100-740		SPEED DOME Multi-function Joystick Controller
POW100		9V DC Plug Pack to suit Joystick Controller
100-741		SPEED DOME Alarm Interface



100-737
Indoor
flush mount



100-738 Indoor
wall mount



100-739 Outdoor
Day/Night wall mount



100-740 Multi-function
joystick controller



100-741
Alarm Interface

Ness DIGITAL SERIES

HIGH PERFORMANCE SURVEILLANCE



Camera and lens sold separately.



Lenses are sold separately.



STANDARD DIGITAL SERIES CAMERAS

The Ness Standard Series cameras highly affordable range using the latest high sensitivity Super HAD CCD sensor for a crisp, sharp picture - with Super AGC and Auto BLC (Backlight Compensation) to help correct silhouetted images.

The 100-470 B/W model also features 2 x digital zoom and switchable mirrored image.

100-470	B/W	STANDARD B/W Digital Series camera
100-469	COLOUR	STANDARD Colour Digital Series camera

ADVANCED DIGITAL SERIES CAMERAS

The Ness Advanced Digital series - for superb images under all lighting conditions.

Featuring extra high sensitivity at 0.001 Lux (B/W models) and 0.025 Lux (colour models), Auto BLC, Super AGC, OSD (On Screen Display) and a long list of other features.

100-446 FEATURES SUPER HIGH RESOLUTION AT 540 LINES!

100-448	B/W	ADVANCED B/W Digital Series camera
100-446	COLOUR	ADVANCED Colour Digital Series camera

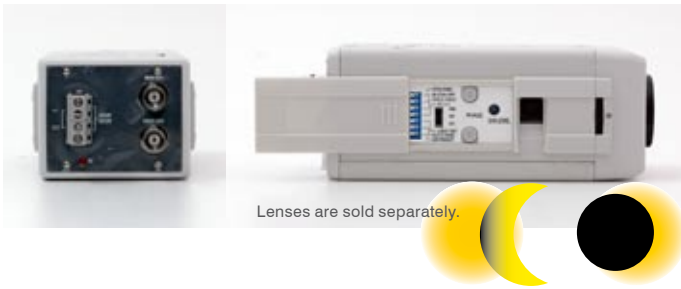
IR-EXTEND DIGITAL SERIES CAMERAS

The Ness IR-Extend series cameras featuring extreme high sensitivity for low light applications. Extreme high resolution at 600 lines and extreme low light sensitivity with better than standard infrared response which makes these cameras ideal for IR illuminated installations.

Auto colour to mono switching, built-in electronic shutter, backlight compensation.

100-447	B/W	IR-EXTEND B/W Digital Series camera
100-445	COLOUR	IR-EXTEND Colour Digital Series camera

Specifications	100-470 Standard B/W	100-469 Standard Colour	100-448 Advanced B/W	100-446 Advanced Colour	100-447* IR-Extend B/W	100-445* IR-Extend Colour
IMAGING DEVICE	1/3" Interline high sensitivity SuperHAD B/W CCD	1/3" Interline high sensitivity SuperHAD Colour CCD	1/3" Interline high sensitivity SuperHAD B/W CCD	1/3" Interline high sensitivity SuperHAD Colour CCD	1/3" EXviewHAD B/W CCD	1/3" EXviewHAD Colour CCD
SIGNAL SYSTEM	CCIR, 625 lines, 2:1 Interlace	PAL, 625 lines, 2:1 Interlace	CCIR, 625 lines, 2:1 Interlace	PAL, 625 lines, 2:1 Interlace	CCIR, 625 lines, 2:1 Interlace	PAL, 625 lines, 2:1 Interlace
PICTURE ELEMENTS	537(H) x 597(V)	542(H) x 582(V)	795(H) x 596(V)	795(H) x 596(V)	795(H) x 596(V)	795(H) x 596(V)
HORIZONTAL RESOLUTION	420 TV lines	380 TV lines	600 TV lines	540 TV lines	600 TV lines	480 TV lines
MINIMUM ILLUMINATION	0.1 lux at F1.2	0.5 lux at F1.2	0.1 lux at F1.2	0.5 lux at F1.2	0.0002 lux at F0.75	0.005 lux at F0.75
S/N RATIO	Better than 48 dB					
ELECTRONIC SHUTTER	1/50~1/100,000 sec					
VIDEO OUTPUT SIGNAL	BNC, 1.0 Vp-p at 75 Ohm load					
AUTO IRIS LENS TYPE	Video or DC servo iris lens					
LENS MOUNT	C & CS mount					
OPERATING TEMPERATURE	-10°C to 50°C					
OPERATING VOLTAGE	12V DC & 24V AC					
POWER CONSUMPTION	200mA @ 12V DC 170mA @ 24V AC	225mA @ 12V DC 150mA @ 24V AC	250mA @ 12V DC 190mA @ 24V AC		290mA @ 12V DC 210mA @ 24V AC	
DIMENSIONS (W x H x D)	71 x 52 x 128 mm					



ECLIPSER COLOUR DAY/NIGHT CAMERA

Super high resolution True Colour model featuring the unique Eclipsor function which automatically compensates for glare and backlighting.

The Eclipsor can be easily set up to black out selected high brightness area/s in camera view. This highly effective feature is ideal for cameras mounted outdoors where, for example, the glare from a nearby floodlight or from car headlights would normally cause the camera to close the auto iris lens.

100-711  ECLIPSER Colour Day/Night camera

SMART IR FILTER COLOUR CAMERA

THE ULTIMATE IR SENSITIVE DAY/NIGHT CAMERA

Super high resolution Digital Series camera featuring the Sony SS-1M digital signal processor (DSP) for better picture quality and full function control.

This camera uses the 1/3" Sony Exview IR sensitive CCD featuring outstanding signal to noise ratio of better than 50dB.

The Smart IR mechanized filter, automatically removes the colour filter switching to B&W mode allowing for high resolution IR sensitive operation with no focus shift between colour & B/W modes.

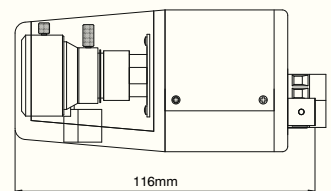
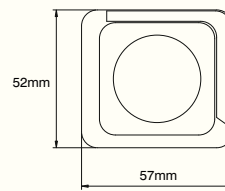
Complete control of smart functions allows Day/Night mode to be setup to trigger on lux levels, timer or external input.

On Screen Display (OSD) setup. Remote control by RS232.

100-703  SMART IR FILTER Colour Day/Night camera

Specifications	100-711 Eclipsor Colour	100-703 Smart IR Filter Colour
IMAGING DEVICE	1/3" EXviewHAD Colour CCD	1/3" EXviewHAD Colour CCD
SIGNAL SYSTEM	CCIR, 625 lines, 2:1 Interlace	PAL, 625 lines, 2:1 Interlace
PICTURE ELEMENTS	752(H) x 582(V)	795(H) x 596(V)
HORIZONTAL RESOLUTION	480 TV lines	480 TV lines colour mode 540 TV lines B/W mode
MINIMUM ILLUMINATION	0.1 lux at F1.2	0.01 lux at F1.2 0 lux under IR illumination
IR SENSITIVITY	800nm - 1050nm	780nm - 1100nm
BACKLIGHT COMPENSATION	255 area auto detect	
S/N RATIO	Better than 46 dB	Better than 50 dB
ELECTRONIC SHUTTER	1/50~1/100,000 sec	
VIDEO OUTPUT SIGNAL	BNC, 1.0 Vp-p at 75 Ohm load	
AUTO IRIS LENS TYPE	Video or DC servo iris lens	
LENS MOUNT	C & CS mount	
OPERATING TEMPERATURE	-10°C to 50°C	
OPERATING VOLTAGE	12V DC & 24V AC	
POWER CONSUMPTION	290mA @ 12V DC 210mA @ 24V AC	400mA @ 12V DC 250mA @ 24V AC
DIMENSIONS (W x H x D)	71 x 52 x 128 mm	

THESE CAMERAS ARE ALSO AVAILABLE IN 1/2" CCD FOR SPECIAL PROJECTS



ADVANCE MEDIUM VARIFOCAL COLOUR CAMERA

The Ness medium resolution varifocal camera is supplied with a 2.8-5.8mm auto iris varifocal lens. Very versatile and compact half sized body.

ADVANCE PLUS VARIFOCAL COLOUR CAMERA

High resolution, high sensitivity half sized colour camera. Featuring a built-in 2.8mm-5.8mm varifocal lens in a protective lens compartment, histogram and central weighted backlight compensation.

100-702  ADVANCE MEDIUM Varifocal colour camera

100-642  ADVANCE PLUS Varifocal colour camera

Specifications	100-702 Advance Medium	100-642 Advance Plus
IMAGING DEVICE	1/3" SuperHAD Colour CCD	1/3" SuperHAD Colour CCD
SIGNAL SYSTEM	CCIR, 625 lines, 2:1 Interlace	PAL, 625 lines, 2:1 Interlace
PICTURE ELEMENTS	537(H) x 597(V)	752(H) x 582(V)
HORIZONTAL RESOLUTION	380 TV lines	480 TV lines
MINIMUM ILLUMINATION	0.5 lux at F1.2	0.1 lux at F1.2
BACKLIGHT COMPENSATION	Auto histogram plus windows weight BLC	
S/N RATIO	Better than 48 dB	
VIDEO OUTPUT SIGNAL	BNC, 1.0 Vp-p at 75 Ohm load	
AUTO IRIS LENS TYPE	DC servo iris lens built-in	
LENS	2.8 - 5.8mm Varifocal	
OPERATING TEMPERATURE	-10°C to 50°C	
OPERATING VOLTAGE	12V DC & 24V AC	
POWER CONSUMPTION	225mA @ 12V DC, 150mA @ 24V AC	
DIMENSIONS (W x H x D)	57 x 52 x 116 mm	



Camera and lens sold separately.

Specifications	HDR
IMAGING DEVICE	1/3" Interline Transfer Double speed SuperHAD CCD
SIGNAL SYSTEM	PAL, 625 lines, 2:1 Interlace
PICTURE ELEMENTS	795(H) x 596(V)
HORIZONTAL RESOLUTION	Colour mode: 530 lines, B/W mode 560 lines
MINIMUM ILLUMINATION	0.5 lux at F1.2 (30 IRE, AGC 36dB) 0.05 lux (64x frame integration sense up)
CONTRAST LEVEL	400:1
WIDE DYNAMIC RANGE	52 dB
IMAGE MIRROR	Horizontal, Vertical, 180°
MASKING	8 area ON/OFF, color adjustable
APERTURE CORRECTION	V aperture adjustable
GAIN	AGC 0-36 dB
S/N RATIO	Better than 50 dB
CONTROL METHOD	On Screen Display
CAMERA ID	12 Character generator
LIGHT CONTROL	Normal auto iris, WD mode, Flickerless
WD MODE	7 Preset settings 1 Custom setting
WHITE BALANCE	ATW, PTL, Preset, Manual
PICTURE	Video, Gamma, Aperture
MISC	Auto IRIS, IRIS Level, H/V Mirror, Masking, EXT SYNC
DIGITAL ZOOM	6x digital zoom with pan/tilt
NORMAL AUTO IRIS	1/50 sec
ELECTRONIC SHUTTER	1/50-1/100,000 sec
WIDE DYNAMIC ALGORITHM	1/1,000 ~ 1/100,000 sec Histogram plus automatic weighting, level adjustment
PHASE ADJUSTMENT	V phase adjustment ($\pm 90^\circ$) (AC type)
VIDEO OUTPUT SIGNAL	BNC, 1.0 Vp-p at 75 Ohm load
AUTO IRIS LENS TYPE	Video or DC servo iris lens
LENS MOUNT	C & CS mount
OPERATING TEMPERATURE	-10°C to 50°C
OPERATING VOLTAGE	AC 24V & DC 12V
POWER CONSUMPTION	350mA @ 12V DC / 190mA @ 24V AC
DIMENSIONS (W x H x D)	71 x 52 x 128 mm

NESS HDR™ HYPER-WIDE DYNAMIC

- Auto switching Day/Night mode
- Ultra high sensitivity down to 0.05lux
- Ultra high resolution 560 lines in night mode
- Digital zoom (6x digital zoom with pan/tilt)
- Privacy masking (8 adjustable privacy masks)
- On Screen Display (OSD)
- and much more...

NESS HDR

HYPER-WIDE DYNAMIC DAY/NIGHT CAMERA

The Ness HDR™ camera provides the highest contrast images under the most difficult lighting conditions.

HDR™ compensates for brightly back-lit scenes by digitally manipulating individual CCD pixels, providing better contrast and sharp images in situations where most cameras would struggle.

Provides perfect pictures even under uneven lighting - such as against building entrances, loading docks and where bright background conditions are a problem.

HDR's advanced dual mode system provides Day/Night operation with dual resolution of 530 lines in colour and 560 lines in B/W.

- 1/3" Sony Wide Dynamic Double Speed CCD.
- Hyper Dynamic range provides 400:1 contrast.
- 8 preset wide dynamic settings for various environments.
- Advanced On Screen Display (OSD) control.
- Versatile exposure modes: WD / Flickerless / Normal Auto Iris.
- High Sensitivity of less than 0.07 lux
- The smart Optical Low Pass Filter (OLPF) auto switches to between colour and B/W modes depending on light levels.
- Enhanced OLPF control: Auto, Manual, Schedule, Internal.
- IR accuracy. Vivid colour performance in daytime and a sharp B/W image with no focus shift at night.
- 8 Privacy masking areas for subjects with special privacy requirements.

100-730  HDR Colour camera



Seeing is believing!

MANUAL IRIS LENS

FIXED FOCAL LENGTH



100-320	2.8mm Manual Iris lens
100-322	4mm Manual Iris lens
100-324	8mm Manual Iris lens
100-454	12mm Manual Iris lens

AUTO IRIS LENS

FIXED FOCAL LENGTH



100-321	2.8mm Auto Iris lens
100-323	4mm Auto Iris lens
100-325	8mm Auto Iris lens
100-455	12mm Auto Iris lens

MANUAL IRIS LENS

VARIFOVAL



100-436	2.3-6mm Manual Iris VARIFOVAL lens
100-326	3.3-8mm Manual Iris VARIFOVAL lens
100-460	6-15mm Manual Iris VARIFOVAL lens
100-463	6-60mm Manual Iris VARIFOVAL lens
100-328	8-48mm Manual Iris VARIFOVAL lens
100-329	8-80mm Manual Iris VARIFOVAL lens

AUTO IRIS LENS

VARIFOVAL



100-437	2.3-6mm Auto Iris VARIFOVAL lens
100-327	3.3-8mm Auto Iris VARIFOVAL lens
100-461	6-15mm Auto Iris VARIFOVAL lens
100-464	6-60mm Auto Iris VARIFOVAL lens
100-366	6-60mm AI VARIFOVAL with motorised zoom

SPECIAL PURPOSE

100-364	2.8-6mm Varifocal Day/Night lens
100-365	3.5-8mm Varifocal Day/Night lens
100-368	6-12mm Varifocal Day/Night lens

BOARD CAMERA LENSES



100-373	2.9mm board camera Lens
100-374	3.6mm board camera Lens
100-375	5.7mm board camera Lens
100-376	8mm board camera Lens
100-377	12mm board camera Lens

ACCESSORIES



100-462	Replacement Auto Iris plug
---------	----------------------------



All Ness Auto Iris lenses have factory fitted plugs to suit the Ness Digital Series full bodied cameras.

AUTO IRIS LENS - DC DRIVEN

FIXED FOCAL LENGTH

100-471	2.8mm Auto Iris lens DC driven
100-472	4mm Auto Iris lens DC driven
100-473	8mm Auto Iris lens DC driven
100-474	12mm Auto Iris lens DC driven

VARIFOVAL

100-475	2.3-6mm Auto Iris VARIFOVAL lens DC driven
100-476	3.3-8mm Auto Iris VARIFOVAL lens DC driven
100-477	6-15mm Auto Iris VARIFOVAL lens DC driven
100-478	6-60mm Auto Iris VARIFOVAL lens DC driven

* DC Driven auto Iris lenses are suitable for Ness Digital series cameras.



23x OPTICAL ZOOM	VIDEO MOTION DETECTION
10X DIGITAL ZOOM	AUTO COLOUR/BW MODES
AUTOFOCUS	BACKLIGHT COMPENSATION

NESS ZOOMCAM

23X OPTICAL ZOOM + 10X DIGITAL ZOOM
AUTO DAY/NIGHT MODES
SUPERIOR BACKLIGHT COMPENSATION

Ness ZoomCam is a compact and versatile camera with just about everything built-in.

Featuring 23x optical MOTORIZED zoom and 10x digital zoom, AUTOFOCUS, user defined Backlight Compensation, On Screen display for camera setup, adjustable PRIVACY MASKING areas on screen.

The ZoomCam is supplied with software for RS232 connection to a PC giving full control over all camera functions from the computer. ZoomCam has a smart mechanised Optical Low Pass Filter that automatically switches between day and night modes for vivid colour reproduction during the day and ultra sensitive B/W performance at night.

100-729  NESS ZOOMCAM Colour Day/Night camera

Specifications	ZOOMCAM
IMAGE SENSOR	1/4" Interline Transfer SONY SuperHAD CCD
RESOLUTION	460 TVL
MINIMUM ILLUMINATION	0.5 Lux at F1.6 (Colour Mode, 30IRE, SAGC) 0.1 Lux at F1.6 (B/W Mode, 30IRE, SAGC) 0.01 Lux at F1.6 (64x sense up, 30IRE, SAGC)
OPTICAL LOW PASS FILTER	Removable internal (Auto switching) / External
BACKLIGHT CONTROL	Auto on/off, 48 zones and weighting adjustable
AGC / ALC	Super AGC 0-36db / Auto, Fix
ELECTRONIC SHUTTER	1/50 - 1/100,000 second
LENS, DIAGONAL ANGLE	58° (Wide) - 2.8° (Tele)
OPTICAL ZOOM	23x Optical zoom lens (F1.6-3.8, f=3.6 - 82.8mm)
DIGITAL ZOOM	10x digital zoom
FOCUS	Auto or Manual
PRESET POSITIONS	64 programmable preset memory positions for zoom and focus
VIDEO OUTPUT	Composite 1.0V p-p/ YC S-Video output 1.0V p-p
ON SCREEN DISPLAY FUNCTIONS (OSD)	Optical & digital zoom, focus, iris, gain, white balance, BLC, mask, alarm, motion, sense up, position
POWER REQUIREMENT	12V DC ±1V / 2.5W (max.)
DIMENSIONS / WEIGHT	70(w) x 63.6(h) x 123.5(l) mm / 380g

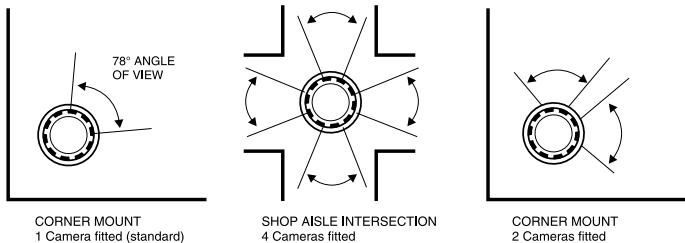
NESS IP CAMERA

4 CHANNEL INTERNET-READY WEB CAMERA

- 4 channel IP camera (1 built-in channel + 3 external inputs).
- TCP/IP network remote video transmission system.
- Viewable online using a standard web browser.
- Event notification & image transmission by email.
- Fully configurable compression engine for fast transfers.
- Automatic remote image retrieval and storage via email or FTP with event triggering.
- Multiple motion detection area setup.
- Password protection / firmware on-line upgradeable.
- Adjustable network bandwidth.
- Up to 16 real-time monitored and recorded links simultaneously.
- Constant recording and scheduled recording modes.
- Alarm transmission via email when motion detection is triggered.
- Set-up parameters configurable via recording software.
- Supplied with Lens, mounting bracket, cross-over LAN cable for direct connect to PC, Serial cable, Digital Video Recording PC Software.

100-406  NESS IP CAMERA 4 Channel Internet Camera



Specifications	IP CAMERA
CAMERA	
IMAGE SENSOR	1/3" CCD
RESOLUTION	537 x 597
MINIMUM ILLUMINATION	1 Lux
ELECTRONIC SHUTTER	Auto
LENS	6mm manual focus lens fitted
VIDEO INPUT	1 built-in, 3 external BNC composite video inputs with NTSC/PAL auto detection
VIDEO OUTPUT	1 x BNC composite output 1.0V p-p
LAN	
VIDEO RESOLUTION	320x240, 160x120
NETWORK PROTOCOLS	TCP/IP, HTTP, SMTP, FTP, Telnet, PPPoE, DHCP
ALARM INPUTS	2
LAN INTERFACE	RJ45 connector for built-in 10/100 Ethernet
FRAME RATE	Max. 25fps @320x240, LAN, single channel
GENERAL	
POWER REQUIREMENTS	12V DC 1A
DEIMENSIONS / WEIGHT	101(w) x 50(h) x 167(l) mm / 400g



NESS SMOKEVIEW™

Discreet B/W or colour camera concealed in a smoke detector look-alike housing. The camera is mounted in a side-looking position and is supplied with a wide angle 4.3mm macro lens.

A total of 4 B/W or 2 colour cameras can be installed in each housing, each facing in a different direction, (always supplied with one (1) camera). Perfect for discreet surveillance of shop aisles, corner positions, intersecting corridors, etc.

100-300		ESD120 B/W SMOKEVIEW Camera
100-301		ESD220 COLOUR SMOKEVIEW Camera
100-300Dummy		SMOKEVIEW Dummy Housing only

Specifications	100-300	100-301
IMAGE SENSOR	1/3" B/W CCD	1/3" Colour CCD
PICTURE ELEMENTS	752(h) x 582(v)	
PICTURE ELEMENTS	500(h) x 580(v)	512(h) x 580(v)
HORISONTAL RESOLUTION	420 TV Lines	340 TV Lines
SIGNAL-TO-NOISE RATIO	More than 48 dB	
MINIMUM ILLUMINATION	0.04 Lux at F2.0	2 Lux at F2.0
BACK LIGHT COMPENSATION	Automatic	
ELECTRONIC SHUTTER	Up to 1/100,000 sec	Up to 1/100,000 sec
LENS FITTED	3.6mm(92°)	
VIDEO OUTPUT SIGNAL	1.0Vp-p Composite. 75 Ohms / 1m cable	
OPERATING VOLTAGE	12V DC	
CURRENT DRAW	150mA	250mA
DIMENSIONS	ø150mm x 50(h) mm	



FEATURES

- High Resolution 480 TVL Day/Night IR sensitive camera with Sony Super HAD™ Exview Technology
- 10m range high intensity infrared illuminator
- Auto switched night video enhancement
- 12VDC halogen safety lights
- Flow-through convection cooling and extraction fan

DAY/NIGHT CAMERA

The on-board colour camera features the Sony Super HAD™ CCD, 480 line resolution and auto switches to B/W mode for night vision. The CCTV Bollard also has an on-board Infra Red illuminator to help night vision.

AUDIO FEATURES

Optional audio features allow the operator to monitor sounds or to make loudspeaker announcements in the vicinity of the bollard.

NESS BOLLARD

DAY/NIGHT DUAL CAMERA WITH LIGHTING

The NESS CCTV Bollard is a free-standing heavy gauge all weather bollard available in galvanised steel, aluminium and stainless steel options. The bollard contains a high-resolution day/night colour camera, halogen lighting and infra-red illuminator complete with power supplies.

Suitable for entry points such as car park entry, hospital emergency entrance, freight yard, security checkpoint and high security building entrances.

The Ness CCTV Bollard can also be customised to suit your specific applications and can be fitted with optional audio for listen/announce/intercom functions.

100-713		NESS BOLLARD camera
---------	--	---------------------

Specifications	NESS BOLLARD
DIMENSIONS	150x150x1200mm, 200x200 mount 10mm dia, 140x140 Cable Entry
LIGHTING	1 x Halogen 20 watts, 1 x Infra Red LED Illuminator matrix.
POWER	240 Volt input. 12V DC available internally.
CAMERA	Day/Night camera module. 480 line ExViewHAD™ CCD
MIN. ILLUMINATION	0.1 Lux
LENS	varifocal, Auto Iris 3.5mm -8mm
IR ILLUMINATOR	850 nMetre IR Responsive. 850 nMetre 1 watt.
AUDIO (optional)	7 watt power amp, woofer 150 Hz to 4 kHz, tweeter 4kHz to 20kHz. Electret Condenser Microphone.
SECURITY	Tamper Switch, Security screws.



NESS RUGGED DOME SERIES

TOUGH VARIFOCAL DOME CAMERAS



The Ness Rugged Dome is one of the toughest indoor/outdoor dome cameras on the market. Fully waterproof to IP66 with a rigid alloy housing and tough polycarbonate dome, this camera is suitable for vulnerable areas in the harshest environments.

Various models to choose from include B/W and colour models and two lens choices of 3.5–8mm or 9–22mm auto iris manually adjustable varifocal.

DAY/NIGHT RUGGED DOME

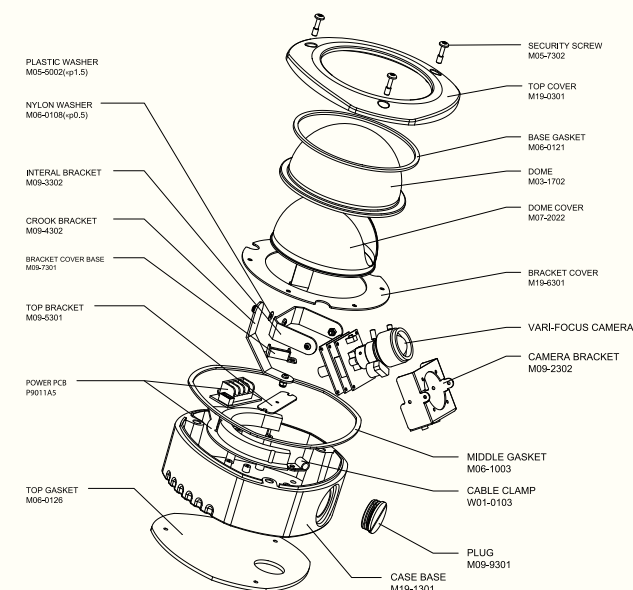
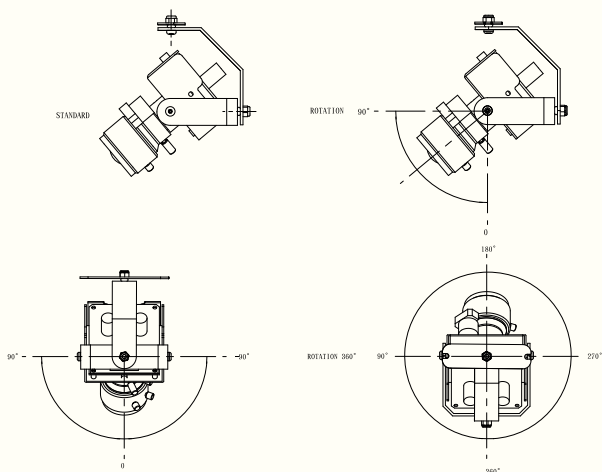
The Ness IR-Extend Day/Night Rugged Dome cameras feature extreme sensitivity for best results under day or night operation.

The automatic colour to mono switching feature ensures sharp and clear pictures under low light conditions without any IR lighting assistance. Alternatively, when assisted with minimal IR projection, they will provide even higher contrast and quality. The day/night switchover light level is installer adjustable.

Supplied with a 2.8–5.8mm varifocal lens. See full specifications on this page.

Specifications	100-700 100-700L	100-712 100-712L	100-714 100-714L
IMAGING DEVICE	1/3" SuperHAD colour CCD	1/3" SuperHAD CCD	1/4" EXViewHAD colour CCD
PICTURE ELEMENTS	795(h) x 596(v)	795(h) x 596(v)	795(h) x 596(v)
HORIZONTAL RESOLUTION	480 TV lines	600 TV lines	480 TV lines
SENSITIVITY	2 lux @ F1.6	0.02 lux @ F1.4	0.2 lux @ F1.4
DAY/NIGHT LEVEL ADJUST.	–	–	0.1–9 Lux
DAY/NIGHT CHANGE TIME	–	–	6–60 sec.
AUTO IRIS MODE	1/50 sec.	1/50 sec.	1/50 sec.
AUTO IRIS LENS TYPE	DC Drive	DC Drive	DC Drive
WHITE BALANCE	ATW2500°K–9500°K	–	ATW2500°K–9500°K
BACKLIGHT COMPENSATION	Auto detect; histogram plus 225 window areas		
VIDEO OUTPUT SIGNAL	BNC, 1.0V p-p at 75 Ohm load		
OPERATING TEMPERATURE	-10°C to 50°C		
OPERATING VOLTAGE	Dual voltage 24V AC or 12V DC		
POWER CONSUMPTION	3.5W		
DIMENSIONS	ø149 x 102(h) mm		

100-700		RUGGED DOME Colour 3.5–8mm Varifocal
100-700L		RUGGED DOME Colour 9–22mm Varifocal
100-712		RUGGED DOME B/W 3.5–8mm Varifocal
100-712L		RUGGED DOME B/W 9–22mm Varifocal
100-714		RUGGED DOME Day/Night 2.8–5.8mm
100-714L		RUGGED DOME Day/Night 9–22mm





Specifications	100-449 / 100-450	100-441 / 100-442
IMAGE SENSOR	COLOUR 1/3" CCD (Sharp)	Monochrome 1/3" CCD (Samsung)
PICTURE ELEMENTS	752(h) x 582(v)	
HORIZONTAL RESOLUTION	480 TV Lines	600 TV Lines
SIGNAL-TO-NOISE RATIO	More than 50 dB (AGC Off)	
MINIMUM ILLUMINATION	0.5 Lux at F2.0	0.05 Lux at F2.0
BACK LIGHT COMPENSATION	Automatic	
AUTOMATIC GAIN CONTROL	Automatic (4dB~30dB)	
GAMMA CORRECTION	0.45	
SMEAR EFFECT	0.01%	
SHUTTER SPEED	1/50 to 1/100,000 sec	1/50 to 1/100,000 sec
LENS FITTED	3.6mm(92°)	
VIDEO OUTPUT SIGNAL	1.0Vp-p Composite. 75 Ohms	
POWER SOURCE	DC12V (Tolerance: 8V ~ 15V)	
OPERATION CURRENT	90mA w / regulated 12Vdc in	
MTBF	80,000 hours	
OPERATING TEMP	-10°C to +50°C	
HUMIDITY	Within 90% RH	
MEASUREMENT (MM)	Flush models: 80mm diameter x 32mm depth Surface models: 80mm diameter x 56mm height	
WEIGHT (APPROX)	300g	
OUTPUT TERMINAL	1m cable with BNC (female) for video, DC jack (Male) for power	

MINITOUGH

TOUGH METAL CONSTRUCTION DOME CAMERAS




The MiniTough series feature all metal modular construction with a heavy duty acrylic dome.

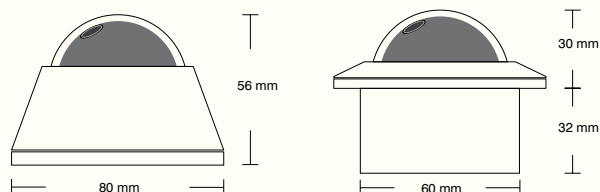
The fully adjustable internal swivel 'eyeball' provides maximum degree of coverage adjustment with screw down swivel locking ring and flange.

High resolution 480 line colour & 600 line B/W.

MiniTough cameras are weather resistant and are available in colour and B/W.

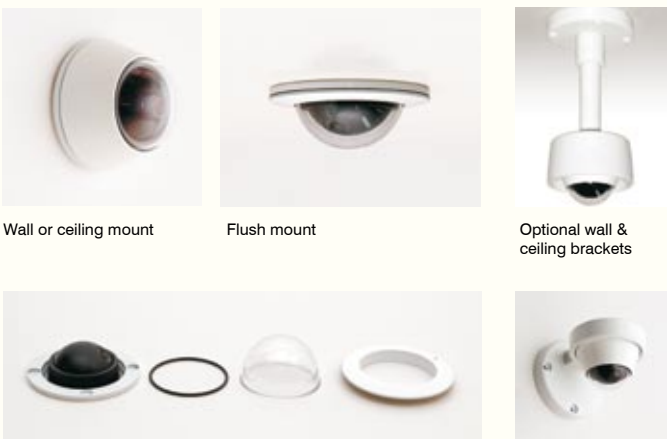
Available in surface mount and flush mount models with optional pendant bracket and wall mount brackets to suit the surface models.

100-449		MINITOUGH Colour Surface Mount
100-450		MINITOUGH Colour Flush Mount
100-441		MINITOUGH B/W Surface Mount
100-442		MINITOUGH B/W Flush Mount
100-457		MiniTough Ceiling Bracket
100-452		MiniTough Wall Bracket



OPTIONAL MOUNTING BRACKETS TO SUIT SURFACE MOUNT MINI-TOUGH CAMERAS

Heavy duty metal construction with concealed cable entry. (Camera not included).

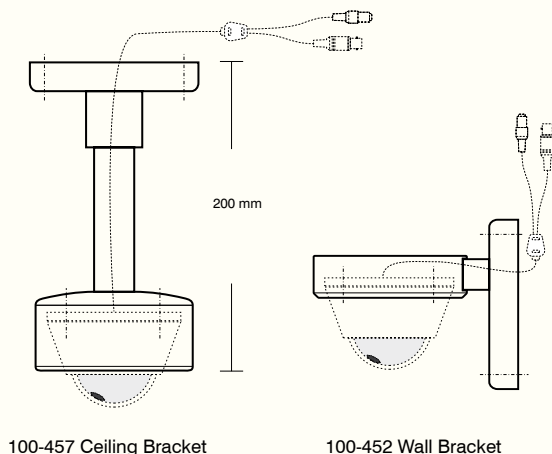


Wall or ceiling mount

Flush mount

Optional wall & ceiling brackets

Modular all metal construction



100-457 Ceiling Bracket

100-452 Wall Bracket

ADVANCE VARIFOCAL DOME



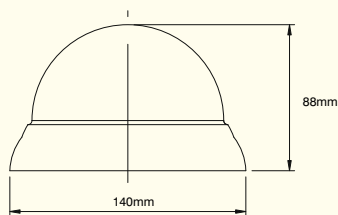
ADVANCE VARIFOCAL VARIFOCAL COLOUR DOME CAMERA

This high resolution colour dome camera is supplied with a 3.5–8mm Auto Iris Varifocal lens.

High resolution colour dome camera. Featuring the 1/3" Sony SuperHAD CCD chip. This camera has 480 line resolution and 2 Lux sensitivity. Quick connect power terminals. BNC socket built-in.

100-641  ADVANCE VARIFOCAL Colour Dome

Specifications	ADVANCE VARIFOCAL
IMAGING DEVICE	1/3" Interline Transfer SuperHAD CCD
PICTURE ELEMENTS	795(h) x 596(v)
HORIZONTAL RESOLUTION	480 TV lines
SENSITIVITY	2 lux @ F1.6
AUTO IRIS MODE	1/50 sec.
AUTO IRIS LENS TYPE	DC Drive
LENS FITTED	3.5–8mm
WHITE BALANCE	ATW2500°K–9500°K
BACKLIGHT COMPENSATION	Auto detect on/off, histogram plus 225 window areas
VIDEO OUTPUT SIGNAL	BNC, 1.0V p-p at 75 Ohm load
OPERATING TEMPERATURE	-10°C to 50°C
OPERATING VOLTAGE	12V DC
POWER CONSUMPTION	3.5W
DIMENSIONS	ø140mm x 88(h) mm







MINI DOME CAMERAS

VALUE DOMES IN B/W OR COLOUR

The Ness Mini Dome camera series includes four models in B/W and colour all with 3.6mm lens fitted.

The 100-302A and 100-319 models also have a built-in microphone for audio monitoring.

The Internal mechanisms have ample manual pan/tilt adjustment for easy setup. Additional lenses are available in various focal lengths. Mini Domes are ideal for all general indoor surveillance applications.

100-302		MINI B/W Dome Camera
100-302A		MINI B/W Dome Camera with microphone
100-401		MINI COLOUR Dome Camera
100-319		MINI COLOUR Hi Res Dome with microphone

Specifications	100-302	100-302A	100-401	100-319
IMAGING DEVICE	1/3" B/W CCD		1/4" colour CCD	
PICTURE ELEMENTS	510(h) x 492(v)		512(h) x 582(v)	752(h) x 582(v)
HORIZONTAL RESOLUTION	420 TV lines	420 TV lines	350 TV lines	470 TV lines
SENSITIVITY	0.2 lux @ F1.4		0.2 lux @ F1.4	0.2 lux @ F1.2
ELECTRONIC SHUTTER	1/50 – 1/100,000		1/50 – 1/120,000	
LENS FITTED	3.6mm			2.5mm
BACKLIGHT COMPENSATION	Automatic		-	-
VIDEO OUTPUT SIGNAL	BNC, 1.0V p-p at 75 Ohm load			
OPERATING TEMPERATURE	-10°C to 45°C			
OPERATING VOLTAGE	12V DC			
POWER CONSUMPTION	130mA		150mA	
DIMENSIONS	ø88mm x 57(h) mm			
WEIGHT	140g		160g	



STANDARD COLOUR DOME CAMERA

Medium resolution colour dome camera. Featuring the 1/3" Sony™ SuperHAD CCD chip. This camera has 380 line resolution and 1 Lux sensitivity. With a 4mm lens, this dome camera is suitable for most indoor surveillance applications.

1/3" Sony™ SuperHAD CCD chip • 380 lines resolution • Sensitivity 1 Lux @F1.4 • Built-in electronic shutter • 12VDC operation • Current draw 300mA • Dimensions 105mm diameter x 85mm high.

100-640  STANDARD COLOUR Dome Camera

Specifications	STANDARD COLOUR DOME
IMAGING DEVICE	1/3" SuperHAD CCD
PICTURE ELEMENTS	795(h) x 596(v)
HORIZONTAL RESOLUTION	380 TV lines
SENSITIVITY	1 lux @ F1.4
LENS FITTED	4mm
VIDEO OUTPUT SIGNAL	BNC, 1.0V p-p at 75 Ohm load
OPERATING TEMPERATURE	-10°C to 50°C
OPERATING VOLTAGE	12V DC
POWER CONSUMPTION	200mA
DIMENSIONS	ø105mm x 85(h) mm

VARIFOCAL COLOUR DOME CAMERA

GENERAL PURPOSE VARIFOCAL

The NESS VARIFOCAL colour dome camera features a high resolution 1/4" CCD and easy to setup varifocal lens.

Featuring 470 line resolution, 0.2 Lux sensitivity and onboard 2.6 to 6mm varifocal lens, this camera is suitable for general applications requiring good resolution and excellent value for money.

Camera setup is straightforward with the built-in varifocal lens allowing the installer to easily setup the optimal zoom angle for the job.

100-334  VARIFOCAL COLOUR Dome

Specifications	VARIFOCAL COLOUR DOME
IMAGING DEVICE	1/4" Colour CCD
PICTURE ELEMENTS	500(h) x 582(v)
HORIZONTAL RESOLUTION	470 TV lines
SENSITIVITY	0.2 lux @ F1.2
LENS FITTED	Varifocal 2.6mm – 6mm
VIDEO OUTPUT SIGNAL	BNC, 1.0V p-p at 75 Ohm load
OPERATING TEMPERATURE	-10°C to 45°C
OPERATING VOLTAGE	12V DC
POWER CONSUMPTION	150mA
DIMENSIONS	ø130mm x 90(h) mm





IR-TOUGH IR DOME CAMERAS

TOUGH IR ILLUMINATED DOMES

Ness IR-Tough dome cameras are extremely tough modular designed dome cameras with infra-red illumination for operation or low or zero lighting.

IR-Tough is available in surface mount and flush mount models both with built-in IR illumination with 10m effective range.

Lens built-in is 4-9mm varifocal with Anti-Backfocus shift technology.

Machined aluminium modular body • High impact dome • Supplied with power and video jacks on a 1 metre cable • Infra-red LED illumination built-in

100-383  IR-TOUGH SURFACE Colour IR Dome Camera

100-386  IR-TOUGH FLUSH Colour IR Dome Camera

Specifications	IR-TOUGH Colour Dome
IMAGING DEVICE	1/3" SuperHAD CCD
PICTURE ELEMENTS	752(h) x 582(v)
HORIZONTAL RESOLUTION	480 TV lines
SENSITIVITY	IR LEDs on: 0 lux @ F2 IR LEDs off: 0.5 lux @ F2
LENS FITTED	4-9mm Varifocal
WHITE BALANCE	2100°K – 8200°K Auto
IR ILLUMINATION RANGE	10m
SHUTTER SPEED	1/50 – 1/100,000
VIDEO OUTPUT SIGNAL	BNC, 1.0V p-p at 75 Ohm load
OPERATING TEMPERATURE	-10°C to 50°C
OPERATING VOLTAGE	12V DC
POWER CONSUMPTION	650mA
DIMENSIONS	Ø140mm x 90(H) mm
WEIGHT	1.2kg

MINI IR TUBE CAMERA

FOR BEST VALUE & PERFORMANCE

Mini IR Tube provides exceptional value for money in a miniature colour tube camera with infra-red illumination.

The housing is waterproof to IP67. This allows the Mini IR Tube to perform well in most harsh environments.

Waterproof IP68 • Machined aluminium modular body • High impact dome • Supplied with swivel mounting bracket and power and video jacks on a 1 metre cable • Infra-red LED illumination

100-372  MINI IR TUBE Colour Camera

Specifications	MINI IR Colour Tube Camera
IMAGING DEVICE	1/4" CCD
PICTURE ELEMENTS	753(h) x 582(v)
HORIZONTAL RESOLUTION	420 TV lines
SENSITIVITY	IR LEDs on: 0 lux @ F1.2 IR LEDs off: 0.3 lux @ F1.2
LENS FITTED	3.6mm
WHITE BALANCE	3200°K – 10,000°K Auto
IR ILLUMINATION RANGE	10m
SHUTTER SPEED	1/50 – 1/120,000
VIDEO OUTPUT SIGNAL	BNC, 1.0V p-p at 75 Ohm load
OPERATING TEMPERATURE	-20°C to 50°C
OPERATING VOLTAGE	12V DC
POWER CONSUMPTION	180mA
DIMENSIONS	Ø49mm x 82(L) mm
WEIGHT	215g

IR ILLUMINATED VARIFOCAL



BRACKET SUPPLIED

EXTERNAL ZOOM & FOCUS CONTROLS

WATERPROOF CABLE & CONNECTORS



IR ILLUMINATED TUBECAM

INFRA-RED COLOUR TUBECAMS

The Ness IR TUBE CAMERA features a high resolution colour camera and lens with a built-in multi-LED Infra-red illuminator for vision even under zero lighting.

The Ness IR TUBE CAMERA is a rugged camera which is ideal for applications where lighting is poor or non-existent.

Weather resistant IP67 • Machined aluminium body with sliding sunshield • High impact clear window • Supplied with power and video jacks on a one metre cable • Swivel Bracket Supplied

100-728



INFRA-RED Colour TubeCam High Res

Specifications	IR COLOUR TubeCam
IMAGING DEVICE	1/3" Colour CCD
PICTURE ELEMENTS	752(h) x 582(v)
HORIZONTAL RESOLUTION	480 TV lines
SENSITIVITY	IR LEDs on: 0 lux @ F2 IR LEDs off: 0.1 lux @ F2
LENS FITTED	4mm
WHITE BALANCE	2100°K – 9100°K Auto
IR ILLUMINATION RANGE	10m
SHUTTER SPEED	1/50 – 1/100,000
VIDEO OUTPUT SIGNAL	BNC, 1.0V p-p at 75 Ohm load
OPERATING TEMPERATURE	-10°C to 50°C
OPERATING VOLTAGE	12V DC
POWER CONSUMPTION	570mA (with IR LEDs on)
DIMENSIONS	Ø70mm x 130(L) mm not including sunshield

IR VARIFOCAL TUBECAM

WATERPOOF DAY/NIGHT TUBE CAMERA WITH BUILT-IN INFRA-RED ILLUMINATION

This heavy duty version of the famous Ness tubecams features a high resolution 480 line colour camera with auto switching to B/W mode for high sensitivity at night.

An array of built-in infra-red LEDs provides IR illumination up to 10m for operation in total darkness. The Anti-Backfocus shift technology ensures crisp images when the camera switches between colour and B/W modes.

The IR Varifocal Tubecam is supplied complete with a swivel mounting bracket, waterproof leads and sliding sunshade.

Weather resistant IP67 • Machined aluminium body • High impact clear window • Supplied with power and video jacks on a 1 metre cable • Swivel Bracket Supplied • Anti Backfocus shift technology • Anti overheat circuitry

100-345



IR VARIFOCAL TubeCam

Specifications	IR VARIFOCAL TubeCam
IMAGING DEVICE	1/3" ExViewHAD CCD
PICTURE ELEMENTS	752(h) x 582(v)
HORIZONTAL RESOLUTION	480 TV lines
SENSITIVITY	IR LEDs on: 0 lux @ F2 IR LEDs off: 0.1 lux @ F2
LENS FITTED	4.3 – 9mm
WHITE BALANCE	2100°K – 9100°K Auto
IR ILLUMINATION RANGE	10m
SHUTTER SPEED	1/50 – 1/100,000
VIDEO OUTPUT SIGNAL	BNC, 1.0V p-p at 75 Ohm load
OPERATING TEMPERATURE	-10°C to 50°C
OPERATING VOLTAGE	12V DC
POWER CONSUMPTION	650mA (with IR LEDs on)
DIMENSIONS	Ø70mm x 120(L) mm not including sunshield



AQUAVIEW™ TUBECAM

WATERPOOF TO 15m

Aquaview™ is designed for complete immersion in water to depths up to 15 metres. Perfect for marine use or for harsh, damp environments such as food preparation areas, agricultural and industrial uses.

The IR model permits operation under conditions of low or zero lighting with onboard IR LEDs providing illumination to 5m.

Waterproof IP68 • High impact clear window • Supplied with power and video jacks on a 1 metre cable • Swivel Bracket Supplied

100-340  AQUAVIEW Colour TubeCam

100-344  AQUAVIEW INFRA-RED Colour TubeCam

Specifications	100-340	100-344
IMAGING DEVICE	1/3" EXViewHAD CCD	
PICTURE ELEMENTS	752(h) x 582(v)	
HORIZONTAL RESOLUTION	480 TV lines	
SENSITIVITY	0.1 lux @ F2	IR LEDs on: 0 lux @ F2 IR LEDs off: 0.1 lux @ F2
LENS FITTED	3.6mm	
WHITE BALANCE	2100°K – 8200°K Auto	
IR ILLUMINATION RANGE	N/A	5m
SHUTTER SPEED	1/50 – 1/100,000	
VIDEO OUTPUT SIGNAL	BNC, 1.0V p-p at 75 Ohm load	
OPERATING TEMPERATURE	-10°C to 50°C	
WEATHER RESISTANCE	Waterproof to 15m	
OPERATING VOLTAGE	12V DC	
POWER CONSUMPTION	210mA	340mA
CONNECTIONS	BNC female video, DC jack for power on 1m cable	
MOUNTING	Swivel bracket supplied	
DIMENSIONS	Ø37mm x 90(L) mm	



100-387



100-408

ULTRA MINIATURE B/W TUBECAM

The 100-387 is an ultra miniature B/W tube camera featuring an extra high resolution 400 line CCD with outstanding low light sensitivity of 0.01 Lux.

This camera is one of the smallest sealed body cameras ever made.

Weather resistant IP66 • Machined aluminium body • High impact clear window • Supplied with power and video jacks on a 1 metre cable • Swivel Bracket Supplied

100-387  ULTRA MINIATURE B/W TubeCam

MINIATURE COLOUR TUBECAM

The Ness Miniature TUBE CAMERAS are one of the most versatile cameras you could ever use. These cameras are miniature in size and very lightweight, yet include all the features of serious colour surveillance cameras.

Features 480 line high resolution colour and fitted as standard with a 3.6mm lens.

Weather resistant IP66 • Machined aluminium body • High impact clear window • Supplied with power and video jacks on a 1 metre cable • Swivel Bracket Supplied

100-408  MINIATURE Colour TubeCam High Res

Specifications	100-387	100-408
IMAGING DEVICE	1/3" B/W CCD	1/3" colour CCD
PICTURE ELEMENTS	500(h) x 582(v)	752(h) x 582(v)
HORIZONTAL RESOLUTION	400 TV lines	480 TV lines
SENSITIVITY	0.01 lux @ F2	0.5 lux @ F2
LENS FITTED	3.6mm	
BACKLIGHT COMPENSATION	Automatic	
SHUTTER SPEED	1/50 – 1/100,000	
VIDEO OUTPUT SIGNAL	BNC, 1.0V p-p at 75 Ohm load	
OPERATING TEMPERATURE	-10°C to 50°C	
WEATHER RESISTANCE	IP66 water resistant	
OPERATING VOLTAGE	12V DC	
POWER CONSUMPTION	90mA	
CONNECTIONS	BNC female video, DC jack for power on 1m cable	
MOUNTING	Swivel bracket supplied	
DIMENSIONS	Ø23mm x 82(L) mm	Ø20mm x 68(L) mm



VARIFOCAL COLOUR TUBECAMS

Ness Varifocal TUBE CAMERAS feature a high resolution colour camera with 4–9mm manual zoom varifocal lens.

The Ness Varifocal TUBE CAMERAS are rugged and easy to setup with twist grip Zoom and Focus rings built into the camera body.

Both models feature high resolution 480 line CCD imagers. The 100-727 model has an extra high sensitivity Sony ExViewHAD™ CCD for day/night use. Can be used outdoors under cover.

Dust tight IP60, for under cover use outdoors • Machined aluminium body • High impact clear window • Supplied with power and video jacks on a 1 metre cable • Swivel Bracket Supplied

100-726  VARIFOCAL Colour TubeCam **High Res**

100-727  VARIFOCAL Colour TubeCam **High Res Day/Night**

Specifications	100-726	100-727
IMAGING DEVICE	1/3" SuperHAD colour CCD	1/3" EXViewHAD colour CCD
PICTURE ELEMENTS	752(h) x 582(v)	
HORIZONTAL RESOLUTION	480 TV lines	
SENSITIVITY	0.5 lux @ F2	0.1 lux @ F2
LENS FITTED	4 – 9mm varifocal manual zoom	
BACKLIGHT COMPENSATION	Automatic	
SHUTTER SPEED	1/50 – 1/100,000	
VIDEO OUTPUT SIGNAL	BNC, 1.0V p-p at 75 Ohm load	
OPERATING TEMPERATURE	-10°C to 50°C	
WEATHER RESISTANCE	IP60 dust proof	
OPERATING VOLTAGE	12V DC	
POWER CONSUMPTION	130mA	
CONNECTIONS	BNC female video, DC jack for power on 1m cable	
MOUNTING	Swivel bracket supplied	
DIMENSIONS	Ø35mm x 100(L) mm	



IR ILLUMINATOR

The Ness 100-309 IR Illuminator provides invisible infra-red illumination for CCD cameras to operate in complete darkness. The effective illumination range is 10 metres at a 70° angle of coverage.

The on board photocell automatically turns the illuminator on when the ambient lighting falls below 1 Lux.

Supplied with mounting bracket and power leads. Heavy duty machined aluminium housing.

100-309 IR ILLUMINATOR

Specifications	IR ILLUMINATOR
IR ILLUMINATION RANGE	10m
IR ILLUMINATION ANGLE	30° – 45°
IR WAVELENGTH	840nm
ON/OFF CONTROL	CDS Light Sensor
OPERATING TEMPERATURE	-10°C to 50°C
WEATHER RESISTANCE	IP68 waterproof
OPERATING VOLTAGE	12V DC
POWER CONSUMPTION	450mA
CONNECTIONS	DC power jack with aux 12V output on 250mm cable
MOUNTING	Bracket supplied
DIMENSIONS	Ø49mm x 60(L) mm



COLOUR BOARD CAMERA

Colour miniature PCB camera. Supplied with a pinhole lens. Outstanding colour performance in a very small package. Suitable for covert applications.

1/4" Sony™ CCD chip • 350 lines resolution • Sensitivity 1 Lux @F1.2
Built-in electronic shutter • 12VDC operation • Current draw 200mA
Dimensions 42 x 42 x 30mm

100-453  COLOUR BOARD Camera

NESS B/W & COLOUR MONITORS

Ness CRT monitors are available in tube sizes from 9" to 21" to suit all applications and budgets.



100-630 9" B/W



100-631 15" B/W

100-630	B W	9" B/W MONITOR with audio
100-631	B W	15" B/W MONITOR
100-633	COLOUR	10" COLOUR MONITOR with audio & A/B inputs
100-632	COLOUR	14" COLOUR MONITOR
100-634	COLOUR	19" B/W MONITOR with audio & A/B inputs
100-635	COLOUR	21" B/W MONITOR with audio



100-633 10" Colour



100-632 14" Colour



100-634 19" Colour



100-635 21" Colour

Specifications	100-630 9" B/W	100-631 15" B/W	100-633 10" Colour	100-632 14" Colour	100-634 19" Colour	100-635 21" Colour
PICTURE TUBE	9" B/W tube	15" B/W tube	10" Colour tube	14" Colour tube	19" Colour tube	21" Colour tube
HORIZONTAL RESOLUTION	>800 TV lines (centre)	>1000 TV lines (centre)	>300 TV lines (centre)	>400 TV lines (centre)	>800 TV lines (centre)	>500 TV lines (centre)
SCANNING FREQUENCY	15.625Hz / 50Hz CCIR		15.625Hz / 50Hz PAL			
VIDEO INPUT	Composite Video 1V p-p @ 75 Ohms					
CONNECTIONS - VIDEO	1 x Video in/out BNC	1 x Video in/out BNC	2 x Video in/out BNC 1 x Y/C in/out DIN	1 x Video in/out BNC	2 x Video in/out BNC 1 x Y/C in/out DIN	1 x Video in/out BNC 1 x Y/C in/out DIN
CONNECTIONS - AUDIO	1 x Audio in/out RCA	-	2 x Audio in/out RCA	-	2 x Audio in/out RCA	1 x Audio in/out RCA
ONSCREEN DISPLAY (OSD)	-	-	Yes	-	Yes	-
CONTROLS - FRONT	On/Off, Brightness, Contrast, Volume	On/Off, Brightness, Contrast, Volume	On/Off, A/B Input switch, Full OSD...	On/Off, Brightness, Contrast	On/Off, A/B Input switch, Full OSD...	On/Off, Brightness, Contrast, Volume
CONTROLS - REAR	75Ω/Hi, Focus, V-Size, Sub-Bri	75Ω/Hi, V-Hold, V-Size, Sub-Bri	-	75Ω/Hi	-	Video/YC
OPERATING VOLTAGE	100 - 240V AC 50/60Hz					
POWER CONSUMPTION	20W Max.	35W Max.	44W Max.	60W Max.	95W Max.	80W Max.
OPERATING TEMPERATURE	-10°C to +50°C					
OPERATING HUMIDITY	10% to 90%					
DIMENSIONS (W x H x D)	222 x 238 x 250 mm	350 x 353 x 360 mm	258 x 260 x 302 mm	350 x 350 x 360 mm	448 x 434 x 448 mm	492 x 474 x 482 mm
WEIGHT NET/GROSS	4.5kg / 5kg	12kg / 13kg	8kg / 9kg	15kg / 15kg	25kg / 30kg	27kg / 29kg



NESS COLOUR LCD MONITORS

For the ultimate surveillance monitors, Ness LCD monitors provide a superior high contrast LCD with high viewing angle suitable for desktop use.

100-636		15" COLOUR LCD MONITOR
100-637		17" COLOUR LCD MONITOR

VARIOUS LCD MONITOR SIZES ARE AVAILABLE
- ASK YOUR NESS BRANCH NOW!



NESS EN220 LCD MONITOR

PORTABLE COLOUR MONITOR

The ultimate portable or "executive" monitor with a very high contrast active matrix LCD display and audio input.

The screen is the latest generation high contrast, high luminosity active matrix LCD with a very wide viewing angle. Stereo audio inputs are provided, as well as a stereo earphone output and onboard speaker.

DESKTOP SURVEILLANCE MONITOR.

The small footprint and attractive finish makes this monitor ideal for use as a desktop monitor. The bright and flicker free active matrix LCD display is easy on the eyes and has a wide viewing angle.

PORTABLE SET UP MONITOR FOR CCTV TECHNICIANS.

The EN220 is the perfect portable accessory for CCTV technicians when setting up cameras. With a 12V battery and patch lead, you can adjust cameras quickly and easily right at the camera.

REAR VIEW MONITOR FOR VEHICLES.

The EN220 has a switch for reversing the picture which makes it ideal for use in vehicles as a rear view / reversing monitor. Power input is 12VDC and the solid state LCD screen is sturdy enough to withstand the bumps and vibration of vehicle mounting.



Supplied with a 2.3Ah SLA rechargeable battery for portable use in the field, 13.5V DC plug pack for desktop use, a battery charger and a sturdy canvas carry case with straps.

100-420		NESS PORTABLE COLOUR LCD MONITOR
---------	--	----------------------------------

Specifications	5.6" PORTABLE LCD MONITOR
SCREEN	5.6" / 116 x 87mm Active matrix Colour TFT
RESOLUTION	320 x 240
VIDEO INPUT	Composite Video 1V p-p @ 75 Ohms
CONNECTIONS - VIDEO	3.5mm jack, BNC leads supplied
CONNECTIONS - AUDIO	Stereo audio input 3.5mm jack
AUDIO OUTPUT	Built-in 4cm 400mW speaker/ Stereo earphone 3.5mm jack
OPERATING VOLTAGE	9-20V DC
POWER CONSUMPTION	600mA @ 12VDC
OPERATING TEMPERATURE	-40°C to +95°C
DIMENSIONS (W x H x D)	162 x 133 x 54 mm
WEIGHT	500g (monitor only)
ACCESSORIES SUPPLIED	1 x 2.3Ah SLA battery 1 x 13.5V DC Plug Pack 1 x Battery Charger Plug Pack 1 x Canvas Carry Case with straps



NESS COLOUR VGA MONITORS

100-380		17" VGA Monitor
100-381		19" VGA Monitor



SEQUENTIAL SWITCHERS

Sequential Video Switchers, 4 input and 8 input for B/W and colour cameras. Adjustable switching interval from 2-35 seconds. Manually select any camera or auto sequence. Option to auto bypass unused inputs when sequential switching. Front panel camera number display. Both models have 2 monitor outputs.

100-315	BW COLOUR	4 INPUT Video Switcher
100-316	BW COLOUR	8 INPUT Video Switcher

Specifications	4 WAY SWITCHER	8 WAY SWITCHER
INPUT	4 x BNC	8 x BNC
OUTPUT	2 x BNC Monitor outputs	
INPUT SWITCHING	Manual or Auto	
AUTO SWITCHING INTERVAL	Adjustable 2-35 seconds global	
OPERATING VOLTAGE	240V AC	
POWER CONSUMPTION	5W	
DIMENSIONS (W x H x D)	265 x 60 x 240 mm	
WEIGHT NET/GROSS	1.8kg	

8BQ DUAL PAGE QUAD

B/W real time quad processor has eight inputs allowing the display of two separate screens of four cameras each.

The 8BQ can display cameras in full screen sequentially or single page quad or two pages of quad sequentially.

Supplied in a small footprint desktop style housing.

Featuring independent brightness adjustment for each input.

100-333 **BW** B/W DUAL PAGE QUAD

Specifications	B/W DUAL PAGE QUAD
INPUT	8 x BNC
OUTPUT	1 x BNC Monitor output - fulltime quad 1 x BNC Monitor output - sequential
INPUT SWITCHING	Manual or Auto
AUTO SWITCHING INTERVAL	Adjustable sequential interval / selectable 2 page quad
OPERATING VOLTAGE	17-24V AC
POWER CONSUMPTION	5W
DIMENSIONS (W x H x D)	239 x 55 x 166 mm
WEIGHT NET/GROSS	1.5kg



8 CHANNEL MUX

B/W & COLOUR DUPLEX MULTIPLEXERS

8 input duplex multiplexers for B/W and colour cameras with memory control technology and digital circuitry. Featuring real time video display for multiscreen, dual page quad, single quad and full screen monitoring. Built in IR remote control, multi direction motion detection and 4x zoom. Full duplex processing allows the simultaneous recording and viewing of all eight cameras and dual VCR provision for simultaneous recording and playback.

4 CHANNEL MUX

B/W & COLOUR DUPLEX MULTIPLEXERS

4 input full duplex multiplexers for B/W and colour cameras. With programmable on screen titles for easy identification of cameras and also includes an on screen real time clock. Duplex recording mode allows you to simultaneously record and view all four cameras. Pictures can be displayed in full screen, quad or single sequence modes. Supports two monitors for spot and main views. Adjustable gain control for each channel and VCR input.

100-419		4BDX 4 CHANNEL B/W MUX
100-418		4CDX 4 CHANNEL COLOUR MUX

100-481		8BDX 8 CHANNEL B/W MUX
100-482		8CDX 8 CHANNEL COLOUR MUX

Specifications	4CH B/W MUX	4CH COLOUR MUX
SIGNAL TYPE	B/W (CCIR)	Colour (PAL)
INPUT	4 x BNC looped	
OUTPUT	2 x BNC Monitor outputs Call/Main	3 x BNC Monitor outputs Call/Main/Quad
INPUT SWITCHING	Manual or Auto Quad or Sequential	
OSD CHARACTER GENERATOR	8 characters per input / Real Time Clock	
ALARM INPUTS/OUTPUTS	4 alarm inputs / 1 alarm output (C.O. relay)	
OPERATING VOLTAGE	240V AC	
POWER CONSUMPTION	17W	
DIMENSIONS (W x H x D)	438 x 44 x 262 mm	
WEIGHT NET/GROSS	4.5kg	5kg

Specifications	8CH B/W MUX	8CH COLOUR MUX
SIGNAL TYPE	B/W (CCIR)	Colour (PAL)
INPUT	8 x BNC looped	
OUTPUT	2 x BNC Monitor outputs, Call/Main	
INPUT SWITCHING	Manual or Auto Quad or Sequential	
OSD CHARACTER GENERATOR	8 characters per input / Real Time Clock	
VIDEO MOTION SENSOR	Bi-directional	
ALARM INPUTS/OUTPUTS	4 alarm inputs / 1 alarm output (C.O. relay)	
IR REMOTE CONTROL	Optional	
OPERATING VOLTAGE	240V AC	
POWER CONSUMPTION	17W	
DIMENSIONS (W x H x D)	438 x 44 x 262 mm	
WEIGHT NET/GROSS	5kg	

PT-111 PAN/TILT

MOTORISED INDOOR PAN/TILT SCANNER



Motorised pan/tilt head for indoor surveillance systems. This unit can support a load of up to 7kg.

Scan speeds are 6° per second panning and 4° per second tilt. Maximum travel is 355° pan and 70° tilt.

Automatic overtemperature and surge protection. 24VAC operation.

100-411 PAN/TILT SCANNER indoor

Specifications	PAN/TILT SCANNER
SCAN SPEED	6° /sec pan, 4° /sec tilt
TRAVEL	355° pan, ±35° tilt
MAXIMUM LOAD	7kg
OPERATING VOLTAGE	24V AC
DIMENSIONS (W x H x D)	133 x 162 x 178 mm
WEIGHT NET/GROSS	2.2kg
RECOMMENDED ENVIRONMENT	Indoor

5 CH PTZ CONTROLLER

5 CHANNEL PAN/TILT/ZOOM CONTROLLER



Pan, Tilt and Zoom controller for up to 5 separate devices. Auto or manual pan/tilt modes. Focus and iris controls for zoom lenses.

Dimensions 44(h) x 425(w) x 250(d) mm. Weight 4.02kg. Operating voltage 240V AC. Power consumption 8.5W.

100-704 5 CH PTZ CONTROLLER

1 CH PTZ CONTROLLER

1 CHANNEL PAN/TILT/ZOOM CONTROLLER



Desktop controller provides remote cable control for the PT-111 pan/tilt scanner.

Joystick control for up/down/left/right, plus controls for zoom/iris/focus for motorised lenses.

Cable connection: 6 pin DIN • Dimensions 50(h) x 220(w) x 200(d) mm • weight 2kg

100-410 1 CH PTZ CONTROLLER



VIDEO SIGNAL ACCESSORIES

100-705 Video Amplifier. 1 BNC in 1 BNC out. Dual power 12V DC or 24V AC. Current consumption 100mA.

100-706 Video Amplifier. 4 BNC in 4 BNC out. Dual power 12V DC or 24V AC. Current consumption 220mA.

100-707 Video Surge Protector. Max. surge current 50,000A. 100ns surge protection attack time. BNC in, BNC out. 16db return loss, less than 0.2db insertion loss.

100-708 Twisted Pair Video Baluns. For sending video signals up 300m using twisted pair cable.

100-715 Powered Twisted Pair Video Baluns. 1200m maximum range via twisted pair cable. 12V DC operation. Current consumption 40mA each.

100-705	1 CH VIDEO AMPLIFIER
100-706	4 CH VIDEO AMPLIFIER
100-707	1 CH VIDEO SURGE PROTECTOR
100-708	TWISTED PAIR BALUN (1 pair)
100-715	TWISTED PAIR BALUN POWERED Long Distance (1 pair)



VIDEO SIGNAL ACCESSORIES

Professional quality video modulator for injecting CCTV pictures into a TV antenna system.

Double sideband modulator with 1 x video & 1 x audio input. UHF channel selectable from 470–860MHz. The outputs are phase lock looped for stability and can be set in 260kHz steps.

The output can be adjusted between 56–105dB using a 20dB gain control and switch.

Diecast housing. Supplied with an 18V DC plug pack.

100-417 VIDEO MODULATOR



100-367, 100-370



100-371



100-311



100-314 Optional ceiling suspension bracket.
 COMPATIBLE WITH ALL PRO SERIES HOUSINGS.
 Ceiling bracket and housing sold separately.



100-313 Optional Pole Mounting Bracket.
 COMPATIBLE WITH ALL PRO SERIES HOUSINGS.

NESS PRO SERIES HOUSINGS

WEATHERPROOF PROFESSIONAL CAMERA HOUSINGS

Ness Pro Series housings are the ultimate high quality outdoor camera enclosures at an affordable price. All models are supplied complete with swivel bracket, grommet cable entry, prefitted internal terminal strips and fuse.

Model 100-367 has a cover which completely removes for total access to the camera. IP66 weatherproof rated, (dust tight, proof against powerful water jets).

Model 100-370 as above and also has a built-in heater/window demister for cold climates. IP66 weatherproof rated.

Model 100-371 has a rear hinged cover with hold-open latch. Features concealed cable entry and built-in heater/demister and cooling fan. IP44 weatherproof rated (Splash proof - Rain proof).

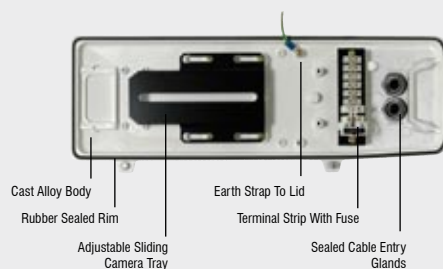
Model 100-311 side opening design allows the lid to fully swing open while remaining attached to the body. Cable entry is fully concealed and secure via the bracket supplied. IP67 weatherproof rated (dust tight, waterproof). Also features a removable full length sun hood.

POSSIBLY THE BEST ENVIRONMENTAL HOUSINGS MONEY CAN BUY! MOUNTING BRACKET INCLUDED.

100-367	PRO HOUSING inc wall bracket
100-370	PRO HOUSING WITH HEATER inc wall bracket
100-371	PRO HOUSING WITH HEATER/FAN inc wall bracket
100-311	PRO HOUSING SIDE OPENING inc wall bracket
100-313	POLE MOUNTING BRACKET suits all models
100-314	CEILING SUSPENSION BRACKET suits all models

Specifications	100-367	100-370	100-371	100-311
WEATHER PROTECTION	IP66		IP44	IP67
HEATER	no	yes	yes	no
COOLING	no	no	yes	no
INTERNAL DIMENSIONS (W x H x L) camera capacity	90 x 70 x 230 mm		105 x 80 x 300 mm	90 x 70 x 230 mm
EXTERNAL DIMENSIONS (W x H x L) Body only	127 x 124 x 390 mm		135 x 158 x 450 mm	140 x 120 x 380 mm
INTERNAL ACCESS	Fully removable lid		Rear hinge	Side hinge
OPERATING VOLTAGE	-	24V AC for heater	24V AC for heater/fan	-
CURRENT DRAW	-	2A	2A	-
WEIGHT inc bracket	2.5kg	2.6kg	3.65kg	3.1kg

PRO HOUSING FEATURES (All Models)



Cast Alloy Body
 Rubber Sealed Rim
 Adjustable Sliding Camera Tray
 Earth Strap To Lid
 Terminal Strip With Fuse
 Sealed Cable Entry Glands



NESS ECONOMY HOUSING

External weatherproof camera housing with sunshield and sliding tray camera access.

For use with the 100-343 mounting bracket, sold separately.

100-341	ECONOMY CAMERA HOUSING
100-343	MOUNTING BRACKET for economy housing



Camera bracket sold separately



With flashing red LED

DUMMY CAMERA

Full bodied dummy camera including realistic dummy lens.

Fitted with a flashing red LED. (Requires optional 12V DC power supply for the LED).

Bracket not included. Can be used with 100-342, 100-402 or 100-332 brackets.

100-395	DUMMY CAMERA Full bodied
---------	--------------------------



100-342

100-402

100-332

NESS CAMERA BRACKETS

100-342 Plastic camera bracket suitable for all full bodied cameras. With hidden cable channel and swivel and tilt adjustment. Length 136mm.

100-402 Metal camera bracket with screw in sections for greater flexibility. In it's short configuration, this bracket is ideal for mounting cameras inside the Ness tinted domes. Length 56mm short configuration, 116mm long configuration.

100-332 Metal camera bracket with high strength swivel grip. Length 170mm.

100-342	CAMERA BRACKET - PLASTIC
100-402	CAMERA BRACKET - MULTI-SECTION METAL
100-332	CAMERA BRACKET - ULTRAHOLD



100-354



100-354IN

CCTV WARNING STICKER

Custom designed, highly visible, vinyl self adhesive warning sticker. Dimensions 140 x 120mm.

Rear or front adhesive versions for applying to windows, walls, sales counters, public areas etc.

100-354	CCTV STICKER - Rear Adhesive
100-354IN	CCTV STICKER - Front Adhesive



CCTV MINI MICROPHONE

A high gain microphone and pre-amp encased in an acoustically neutral rubber pellet. Fitted with flying leads and connectors for 12VDC power and audio output.

Microphone dimensions 15 x 8mm. Lead length 500mm. Power input 12VDC. Current consumption 20mA. Frequency response 20Hz - 10KHz.

100-403	CCTV MICROPHONE
---------	-----------------



PERSPEX DOMES

Universal perspex domes suitable for concealing and protecting most types of cameras or other equipment.

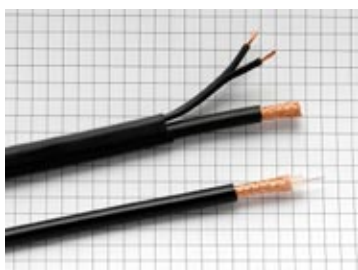
100-388	355mm (14") TINTED PERSPEX DOME
100-389	457mm (18") TINTED PERSPEX DOME
100-378	355mm (14") TINTED PERSPEX DOME WITH CLEAR SLOT



DUMMY DOMES

Dome camera plastics only - no camera fitted.

100-393	DUMMY DOME ULTRA MINI - Ø54mm x 45mm high
100-394	DUMMY DOME STD - Ø88mm x 58mm high
100-394BL	DUMMY DOME STD BLACK - Ø88mm x 58mm high
100-399	DUMMY DOME ADVANCE - Ø140mm x 90mm high



CONNECTORS

100-348	BNC female to female joiner
100-349	BNC "T" piece
100-350	BNC standard male connector
100-359	BNC female – RCA male adapter



TOOLS

100-356	BNC HEX CRIMPING TOOL for 100-350 BNC connectors. Suitable for RG59, RG62 & RG6 cable.
100-351	COAX STRIPPING TOOL
100-352	BLADES for Coax Stripping Tool

COAX CABLE

100-353	Coax Cable RG59U 100m Reel diameter 240mm. Weight 5kg.
100-357	Coax Cable RG59U 300m Reel diameter 340mm. Weight 15.8kg.
100-318	COMBO Coax Cable 100m MIL-SPEC RG59U and 24/0.20 Fig8 in the same sheath. Reel diameter 340mm. Weight 13kg.
100-331	COMBO Coax Cable 250m Reel diameter 400mm. Weight 36kg.

CCTV systems which have the ability to connect to the telephone network must use approved cable.

NESS COAX CABLE IS ACA APPROVED.

All Ness Coax Cable is METRE MARKED



POW280

POW290



POW100

POW310

DC POWER SUPPLIES

POW280	12V DC 2.5A power supply for powering multiple cameras or other 12V devices. Superior regulated supply with Ultra Low Drop Out technology, thermal protection and short circuit protection. Dimensions 132(W) x 90(H) x 192(L) mm. Weight 2.5kg.
POW290	12V DC 5A power supply for powering multiple cameras or other 12V devices. Superior regulated supply with Ultra Low Drop Out technology, thermal protection and short circuit protection. Dimensions 132(W) x 90(H) x 243(L) mm. Weight 3.3kg.

DC PLUG PACKS

POW100	PLUG PACK 9V DC 600mA for the Ness Speed Dome Joystick Controller. Also suitable for general use where 9V DC is required. Fitted with plug (centre positive).
POW310	PLUG PACK 12V DC 1.5A Switch Mode regulated plug pack recommended for use with any Ness 12V DC operated camera. Some cameras may require a 100-422 power lead & plug.



POW270

100-358

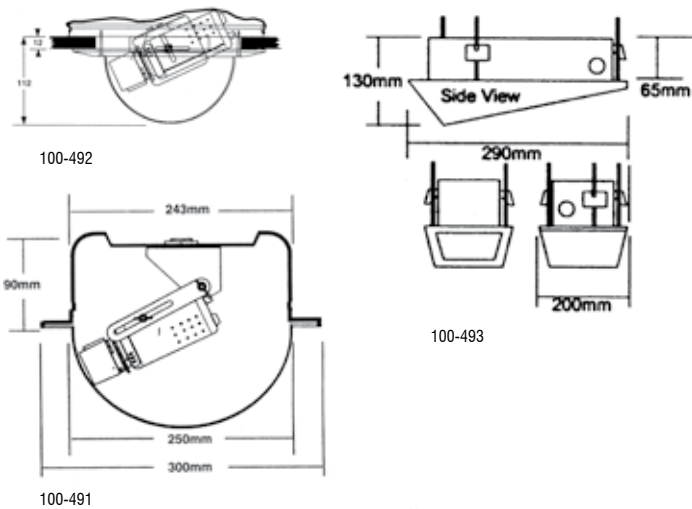


POWER ACCESSORIES

100-422	POWER PLUG & LEAD For use with most Ness cameras which have a 12V power socket.
---------	---

AC POWER SUPPLIES

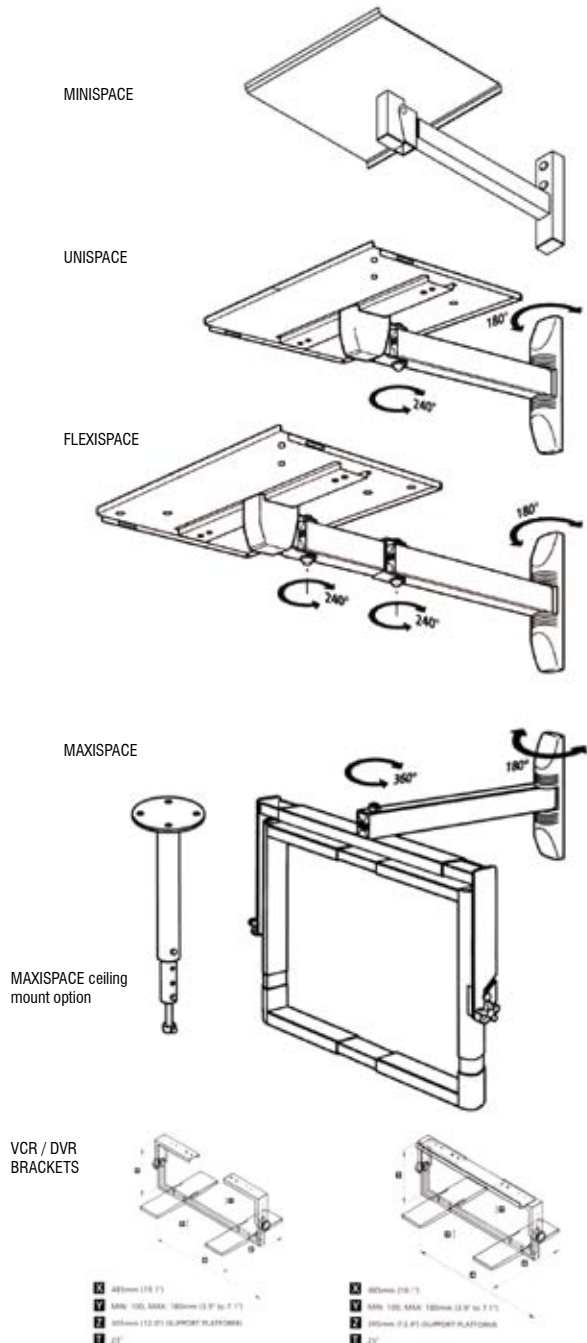
POW270	24V AC 1.5A desktop style power supply for powering multiple AC cameras.
100-358	24V AC 2A power supply for multiple cameras requiring AC supply. With built-in protection against voltage spikes and spurious induced noise. Dimensions 132(W) x 90(H) x 192(L) mm. Weight 2.4kg.
100-360	24V AC 10A power supply.



CAMERA HOUSINGS - OTHER

100-491	RMDH-C is a 250mm diameter semi-recessed dome housing designed to accommodate cameras up to 300mm in length with minimal dome protrusion. Allows 360° camera adjustment.
100-492	RM150WT compact 159mm diameter semi-recessed dome with fully adjustable internal camera mounting position.
100-493	RMW2 robust flush mount wedge housing for installation in a variety of ceiling types and thickness.

MONITOR BRACKETS



100-425	MINISPACE high strength economical bracket system designed for use with most CCTV monitors and TVs. Available in wall and ceiling mount. Durable gunmetal grey powdercoat finish. Base plate dimensions 305 x 280mm. Max load 15kg. Plate tilt range -15° to +5°. Plate rotation 240°.
100-427	UNISPACE an easy to install wall bracket with two pivot points - wall pivot and base plate pivot. Designed to guarantee both stability and long life. Durable gunmetal grey powdercoat finish. Base plate dimensions 500 x 325mm. Max load 60kg. Plate tilt range -15° to +5°. Plate rotation 240°.
100-428	FLEXISPACE SMALL wall mount monitor bracket has three pivot points for total flexibility of arm position, as well as generous base plate tilt. Durable gunmetal grey powdercoat finish. Base plate dimensions 345 x 280mm. Max load 60kg. Plate tilt range -15° to +5°. Plate rotation 240°.
100-429	FLEXISPACE LARGE wall mount monitor bracket has three pivot points for total flexibility of arm position, as well as generous base plate tilt. Durable gunmetal grey powdercoat finish. Base plate dimensions 500 x 325mm. Max load 60kg. Plate tilt range -15° to +5°. Plate rotation 240°.
100-431	MAXISPACE suspension monitor brackets available in small and medium sizes, wall or ceiling mount. Durable gunmetal grey powdercoat finish. All Models: Max load 75kg. Tilt range 0° to 25°. Rotation at wall 180°. Monitor rotation 360°. MAXISPACE WALL MOUNT SMALL Monitor grip dimensions 300-496 x 250-410mm.
100-432	MAXISPACE WALL MOUNT MEDIUM Monitor grip dimensions 445-750 x 370-640mm.
100-433	MAXISPACE CEILING MOUNT SMALL Monitor grip dimensions 300-496 x 250-410mm.
100-434	MAXISPACE CEILING MOUNT MEDIUM Monitor grip dimensions 300-496 x 250-410mm.
100-430	VCR / DVR BRACKET for FLEXISPACE bracket
100-435	VCR / DVR BRACKET for MAXISPACE bracket

UPDATE YOUR CONTACT DETAILS

Trade customers, To make sure our regular news and specials emails reach you, please use this form to update your contact details.

COMPANY		
ABN	NESS ACCOUNT NUMBER	
TELEPHONE ()	FAX ()	
SECURITY LICENCE NUMBER: If applicable in your state.		
WEB SITE		
EMAIL ADDRESS		
CONTACT NAME <small>If different to company email address</small>		POSITION
EMAIL ADDRESS		
ADDRESS		
SUBURB	STATE	POSTCODE
DELIVERY ADDRESS (IF DIFFERENT)		

RETURN FAX TO YOUR CLOSEST NESS BRANCH:

SYDNEY 02 9674 2520, MELBOURNE 03 9875 6422, PERTH 08 9227 7073,
BRISBANE 07 3217 9711 ADELAIDE 08 8276 3028



IMPORTANT NOTES Please read carefully

1. All equipment and services provided by NESS SECURITY PRODUCTS are subject to our printed "Terms and Conditions of Sale" which are freely available from any Ness office. Placement of an order with Ness constitutes acceptance of these terms and conditions.

2. a/ The warranty period of Ness manufactured equipment purchased from Ness is 24 months from the date of invoice. Equipment deemed faulty will be repaired

or replaced at Ness' discretion free of charge but no responsibility is accepted for equipment subjected to misuse nor is responsibility accepted for consequential costs. A specific exception to our warranty provision relates to damage caused by lightning strike or consequent power surge to equipment connected directly to phone lines. Such damage is considered to be a result of an Act of God and repair or replacement charges will apply.

b/ The warranty period for equipment purchased from Ness but not of Ness manufacture, will be that extended by the manufacturer of the equipment.

3. Ness reserves the right at any time to make alterations to the specification, design or construction of goods at it's own discretion provided that the goods shall remain of saleable quality and sufficient for the purposes nominated.