



NILES®



# CM710

## 7" CEILING MOUNT LOUDSPEAKER



### 7" Two-Way Ceiling Mount Loudspeaker

- 7" Polypropylene Woofer
- 13mm Kaladex® Tweeter

SPECIFICATIONS SHEET

## 7" INCH CEILING MOUNT LOUDSPEAKER

### 7" Two-Way Loudspeaker

CM710

Stock Number

FG01296



#### Features

- Integrated woofer/baffle design delivers greater low frequency response by employing a 7" woofer where competitive models of the same outer size employ 6 1/2" woofers
- Polypropylene cone is light, strong and well damped to provide "best in class" bass response
- Treated urethane surround increases sensitivity while preserving durability
- 13mm Kaladex® tweeter with fluid cooling provides wide dispersion for clear and detailed high frequencies
- Includes flush-mount MicroPerf™ aluminum grille for a clean and unobtrusive look
- Weather resistant construction reduces installation limitations and provides unique solutions in moist environments or outdoors under eaves

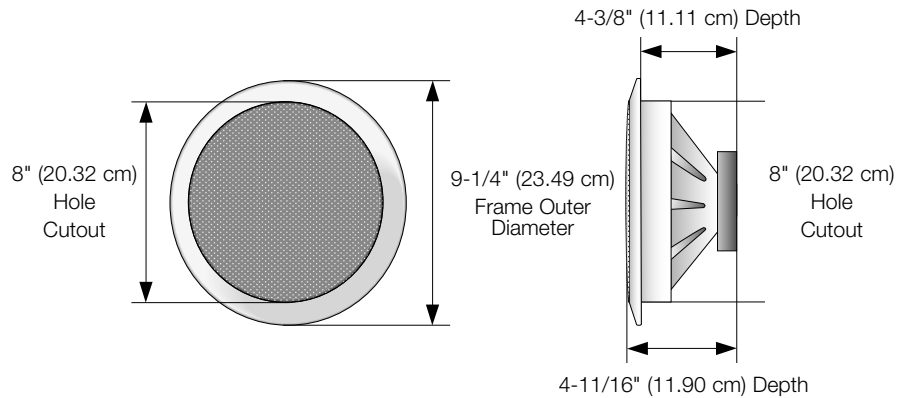
#### Specifications





- Frequency Response: 59Hz to 20kHz +/-3dB
- Impedance: 8 ohm nominal; 6 ohm minimum
- Recommended Amplifier Power: 10 to 75 Watts
- Frame Dimensions: 9 1/4 inches (23.49 cm)
- Hole cutout dimensions: 8 inches (20.32 cm)
- Depth behind ceiling: 4 3/8 inches (11.11 cm)

**Warranty: Lifetime Limited**



## PRODUCT CONSTRUCTION AND ACCESSORIES



Loudspeaker Model		Works With			
Model	Stock Number	Previous Bracket	New Bracket	Metal Enclosure	Hole Cover
CM710	FG01296	 CM6 Series Bracket Kit FG00655	 CM700 BKT FG01308	 CE 6 FG00944	 CM700 Hole Cover FG01309