

# CM730Si

## 7" STEREO INPUT

### CEILING MOUNT LOUDSPEAKER



#### 7" Stereo Input Ceiling Mount Loudspeaker with Pivoting Tweeter

- 7" Polypropylene Dual Voice Coil Woofer
- Dual 19mm UltraSilk® Tweeters

## 7 INCH STEREO INPUT CEILING MOUNT LOUDSPEAKER

### 7" Stereo Input Loudspeaker with Pivoting Tweeter

CM730Si

Stock Number

FG01304



#### Features

- Integrated woofer/baffle design delivers greater low frequency response by employing a 7" woofer where competitive models of the same outer size employ 6 1/2" woofers.
- Polypropylene dual voice coil woofer reproduces left and right channel inputs from a single speaker.
- Treated urethane surround increases sensitivity and preserves durability
- Dual 19mm pivoting fluid-cooled UltraSilk® tweeters provide wide dispersion for clear and detailed high frequencies
- Bridge-mounted stereo imaging (Si) tweeter array directs the high-frequency sounds from both the left and right channels at opposing angles to preserve stereo separation
- Includes flush-mount MicroPerf™ aluminum grille for a clean and unobtrusive look.
- Weather resistant construction reduces installation limitations and provides unique solutions in showers or outdoors under eaves

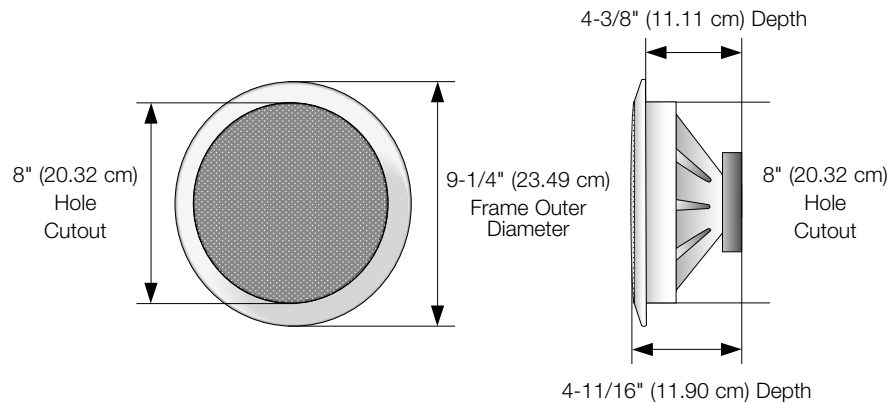
#### Specifications





- Frequency Response: 60Hz to 21kHz +/-3dB
- Impedance: 8 ohm nominal; 6 ohm minimum
- Recommended Amplifier Power: 10 to 100 Watts
- Frame Dimensions: 9 1/4 inches (23.49 cm)
- Hole cutout dimensions: 8 inches (20.32 cm)
- Depth behind ceiling: 4 3/8 inches (11.11 cm)

Warranty: Lifetime Limited



## PRODUCT CONSTRUCTION AND ACCESSORIES



Loudspeaker Model		Works With			
Model	Stock Number	Previous Bracket	New Bracket	Metal Enclosure	Hole Cover
CM730Si	FG01304	 CM6 Series Bracket Kit FG00655	 CM700 BKT FG01308	 CE 6 FG00944	 CM700 Hole Cover FG01309