



NILES®



# CM750FX

## 7" SURROUND EFFECTS

### CEILING MOUNT LOUDSPEAKER

---



#### **7" Surround Effects Ceiling Mount Loudspeaker with Pivoting Tweeter**

- 7" TCC™ (Talc, Carbon, and Ceramic-Filled) Woofer
- Dual 1" Teteron® Tweeters

SPECIFICATIONS SHEET

## 7 INCH SURROUND EFFECTS CEILING MOUNT LOUDSPEAKER

### 7" Surround Effects Loudspeaker with Pivoting Tweeter

CM750FX

Stock Number  
FG01307



#### Features

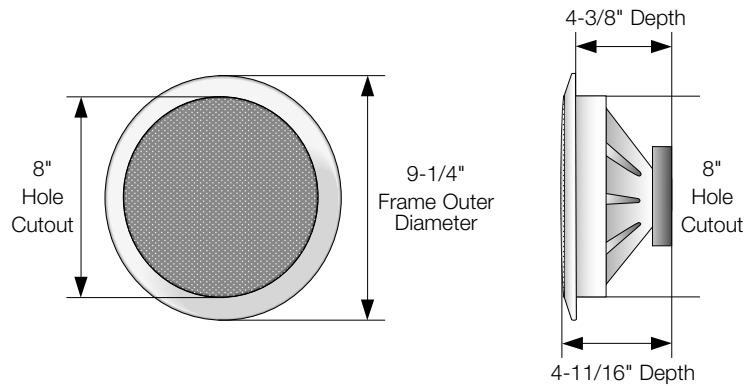
- Integrated woofer/baffle design delivers greater low frequency response by employing a 7" woofer where competitive models of the same outer size employ 6 1/2" woofers
- Injection-molded TCC™ (Talc, Carbon, and Ceramic-filled) cone is extremely rigid to reduce breakup, lower distortion and provide enhanced bass response
- Butyl rubber cone surround damps resonance and provides exceptional durability
- Dual 1" pivoting fluid-cooled Teteron® dome tweeters offer ultra-wide dispersion and silky-smooth high-frequency response
- Bridge-mounted surround effects (FX) tweeter array directs the high-frequency sounds at opposing angles to create realistic surround sound effects
- Includes flush-mount MicroPerf™ aluminum grille for a clean and unobtrusive look
- Adjustable Dipole/Bipole and effects level controls provide for optimum room matching


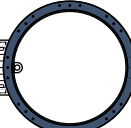


#### Specifications

- Frequency Response: 55Hz to 21kHz +/-3dB
- Impedance: 8 ohm nominal; 6 ohm minimum
- Recommended Amplifier Power: 10 to 125 Watts
- Frame Dimensions: 9 1/4 inches
- Hole cutout dimensions: 8 inches
- Depth behind ceiling: 4 3/8 inches

Warranty: Five-year limited

## PRODUCT CONSTRUCTION AND ACCESSORIES



| Loudspeaker Model |              | Works With   |   |  |  |
|-------------------|--------------|--|---|--|--|
| Model             | Stock Number | Previous Bracket   | New Bracket   | Metal Enclosure  | Hole Cover   |
| CM750FX           | FG01307      | <br>CM6 Series Bracket Kit<br>FG00655 | <br>CM700 BKT<br>FG01308 | <br>CM700 CE<br>FG01396 | <br>CM700 Hole Cover<br>FG01309 |