



NILES®



# CM750Si

**7" STEREO INPUT**

CEILING MOUNT LOUDSPEAKER

---



**7" Stereo Input Ceiling Mount Loudspeaker with Pivoting Tweeter**

- 7" TCC™ (Talc, Carbon, and Ceramic-Filled) Dual Voice Coil Woofer
- Dual 1" Teteron® Tweeters

SPECIFICATIONS SHEET

## 7 INCH STEREO INPUT CEILING MOUNT LOUDSPEAKER

### 7" Stereo Input Loudspeaker with Pivoting Tweeter

CM750Si

Stock Number

FG01305



#### Features

- Integrated woofer/baffle design delivers greater low frequency response by employing a 7" woofer where competitive models of the same outer size employ 6 1/2" woofers
- Injection-molded TCC™ (Talc, Carbon, and Ceramic-filled) dual voice coil woofer reproduces left and right channel inputs from a single speaker
- Butyl rubber cone surround damps resonance and provides exceptional durability
- Dual 1" pivoting fluid-cooled Teteron® dome tweeters offer ultra-wide dispersion and silky-smooth high-frequency response
- Bridge-mounted stereo imaging (Si) tweeter array directs the high-frequency sounds from both the left and right channels at opposing angles to preserve stereo separation
- Includes flush-mount MicroPerf™ aluminum grille for a clean and unobtrusive look
- Weather resistant construction reduces installation limitations and provides unique solutions in showers or outdoors under eaves

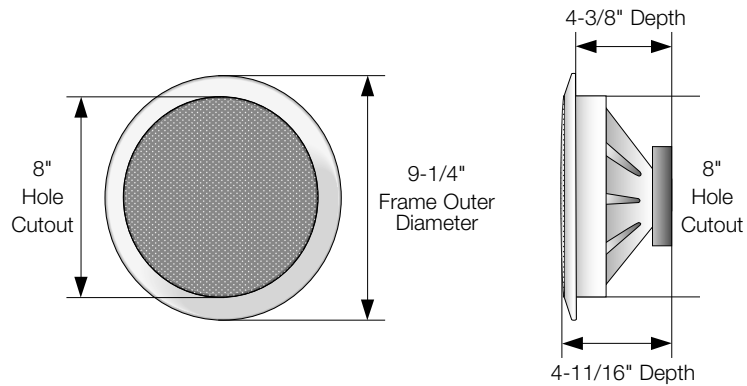
#### Specifications


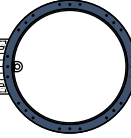


- Frequency Response: 55Hz to 21kHz +/-3dB
- Impedance: 8 ohm nominal; 6 ohm minimum
- Recommended Amplifier Power: 10 to 125 Watts
- Frame Dimensions: 9 1/4 inches
- Hole cutout dimensions: 8 inches
- Depth behind ceiling: 4 3/8 inches

Warranty: Lifetime limited



## PRODUCT CONSTRUCTION AND ACCESSORIES



Loudspeaker Model		Works With			
Model	Stock Number	Previous Bracket	New Bracket	Metal Enclosure	Hole Cover
CM750Si	FG01305	 CM6 Series Bracket Kit FG00655	 CM700 BKT FG01308	 CM700 CE FG01396	 CM700 Hole Cover FG01309