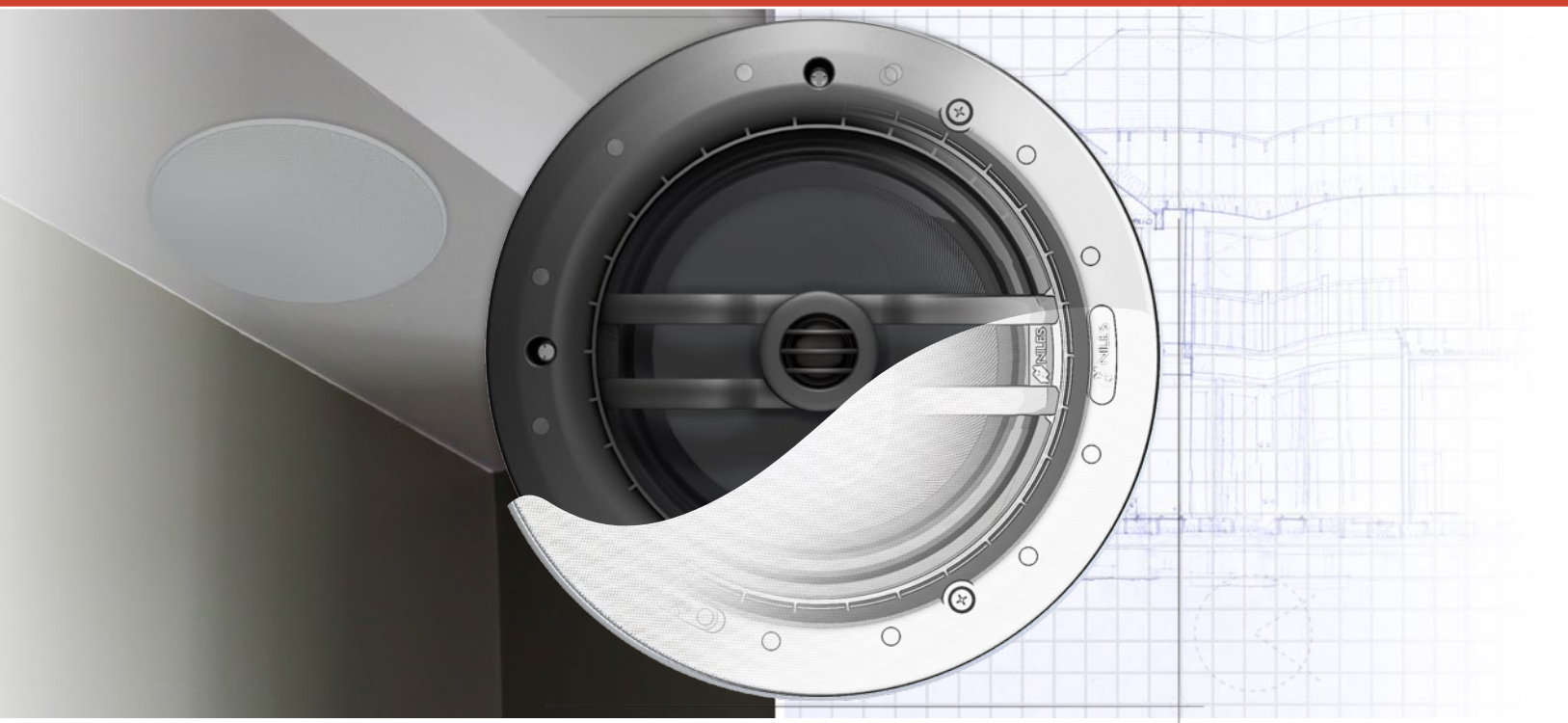




Designer Aesthetics
Audiophile Performance
Installation Ease

SHALLOW DEPTH LOUDSPEAKER SPECIFICATIONS SHEET



CM7SD 7" 2-WAY CEILING-MOUNT LOUDSPEAKER



Shallow depth loudspeakers are optimal for applications where space above the ceiling is limited. Mineral-filled polypropylene woofer cones and a 3/4" soft dome tweeter provide smooth, pleasing sound throughout the sonic spectrum. Customized Rear Enclosure minimizes sound penetration to adjoining spaces making this speaker ideal for installation in Multiple Dwelling Units (MDUs).

FEATURES AND BENEFITS

- **Designer Aesthetics** Magnetically attached MicroThin™ speaker grilles ensure a clean, virtually invisible appearance that blends with the room's aesthetics. Optional square grilles provide added design flexibility.
- **Superior Sound Quality** Precision tuned and voiced fixed woofer ceiling-mount loudspeakers provide graduated performance for all types of applications. Whether you are listening to background talk radio or a complete orchestra, Niles CM series delivers optimal performance and reliability.
- **Installation Ease** Four easy to use mounting clamps permit quick installation and compensate for uneven mounting surfaces. Weather-resistant construction enables installation in moist areas, such as bathrooms or outdoors under eaves.
- **Install With Confidence** The best-built loudspeakers deserve the best protection—the Niles Lifetime Limited Warranty.

2-WAY CEILING-MOUNT LOUDSPEAKERS

CM7SD

7" 2-way Shallow Depth Ceiling-Mount Loudspeaker



Packaged Individually with
Round MicroThin™ Grille

Stock Number

FG01665

FEATURES

- 7" Mineral-Filled Polypropylene woofer cone is extremely rigid to reduce breakup, lower distortion and provide enhanced bass response
- Butyl rubber cone surround damps resonance and provides exceptional durability
- 3/4" soft dome tweeter offers wide dispersion and silky-smooth high-frequency response
- Magnetically attached, rust-resistant grille covers install quickly and provide a low profile look
- Shallow Depth Design permits installation in a ceiling depth of as small as 2-1/8" behind 5/8" drywall.
- Rear Powder-Coated Steel Cover minimizes sound penetration to adjoining spaces.

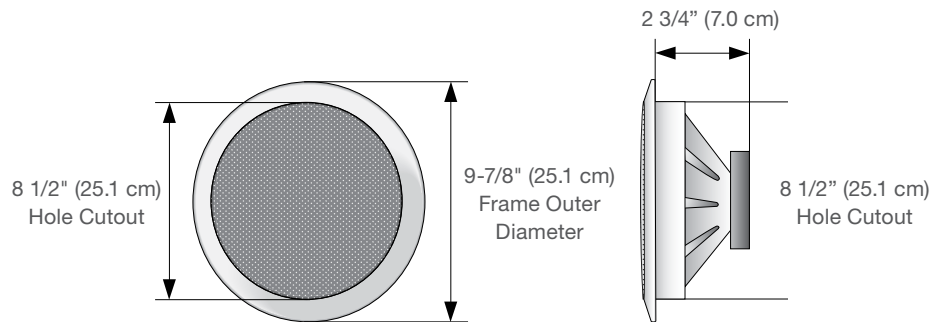
SPECIFICATIONS

- Frequency Response: 52Hz to 21kHz +/-3dB
- Impedance: 8 ohm nominal; 6 ohm minimum
- Recommended Amplifier Power: 10 to 100 Watts

DIMENSIONS

- Frame Dimensions: 9 7/8 inches (25.1 cm)
- Hole cutout dimensions: 8 1/2 inches (21.6 cm)
- Depth behind ceiling (5/8" drywall): 2 1/8" (5.4 cm)
- Shipping Weight: 4.4 lbs (2 kg)

WARRANTY: Lifetime Limited



BLENDING HIGH FIDELITY AND ARCHITECTURE®



CM4PR 3.5" Performance CM7BG 7" Background CM7SD 7" Shallow Depth CM7MP 7" Multi Purpose CM7PR 7" Performance CM7HD 7" High Definition CM7FX 7" Surround Effects CM7SI 7" Stereo Input CM8MP 8" Multi Purpose CM8PR 8" Performance CM8HD 8" High Definition CM8SI 8" Stereo Input

1-800-BUY-HIFI – www.nilesaudio.com

©2011 The AVC Group, LLC. All Rights Reserved. Niles, the Niles logo and Blending High Fidelity and Architecture are registered trademarks of The AVC Group, LLC. MicroThin is a trademark of The AVC Group, LLC. All other trademarks are the property of their respective owners. We reserve the right to change features, descriptions, and/or specifications at any time without notice. CS0324A