

CM830

8" CEILING MOUNT LOUDSPEAKER



8" Two-way Loudspeaker with Pivoting Tweeter

- 8" Polypropylene Woofer
- 1" UltraSilk™ Soft-Dome Tweeter

8 INCH CEILING MOUNT LOUSPEAKER

8" Two-way Loudspeaker with Pivoting Tweeter

CM830

Stock Number

FG01479



Features

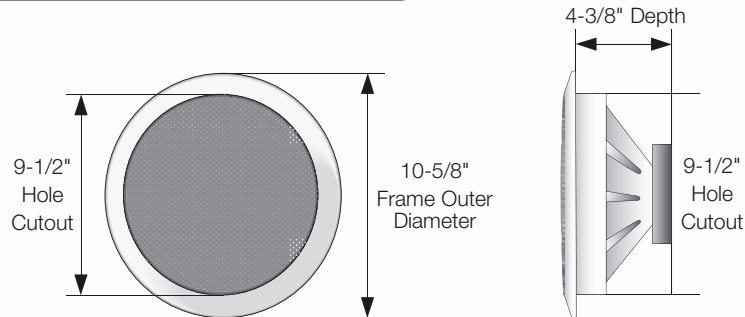
- Integrated woofer/baffle design delivers greater low frequency response by employing an 8" woofer
- Polypropylene cone is light, strong and well damped to provide "Best in Class" bass response
- Butyl rubber surround damps resonance and provides exceptional durability
- 1" fluid-cooled UltraSilk™ soft dome tweeter for exceptional clarity in the high frequencies
- Proprietary bridge-mounted tweeter pivot mechanism focuses the high frequency sound in any direction up to 20° without diffraction
- Includes flush-mount MicroPerf™ aluminum grille for a clean and unobtrusive look
- Weather resistant construction reduces installation limitations and provides unique solutions in moist environments like bathrooms or outdoors under eaves


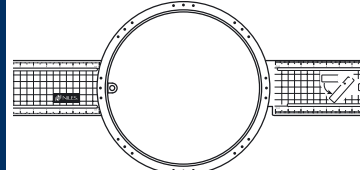


Specifications

- Frequency response: 49Hz to 21kHz +/-3dB
- Impedance: 8 ohm nominal; 6 ohm minimum
- Recommended amplifier power: 10 to 125 watts
- Frame dimensions: 10 5/8" diameter (27cm diameter)
- Hole cutout dimensions: 9 1/2" diameter (24cm diameter)
- Depth behind ceiling: 4 3/8" (11cm diameter)

Warranty: Five-year limited

PRODUCT CONSTRUCTION AND ACCESSORIES



Loudspeaker Model		Works With			
Model	Stock Number	Previous Bracket	New Bracket	Metal Enclosure	Hole Cover
CM830	FG01479	 CM8 Series Bracket Kit FG00656	 CM800 BKT FG01487	 CE 8 FG00946	 CM800 Hole Cover FG01488