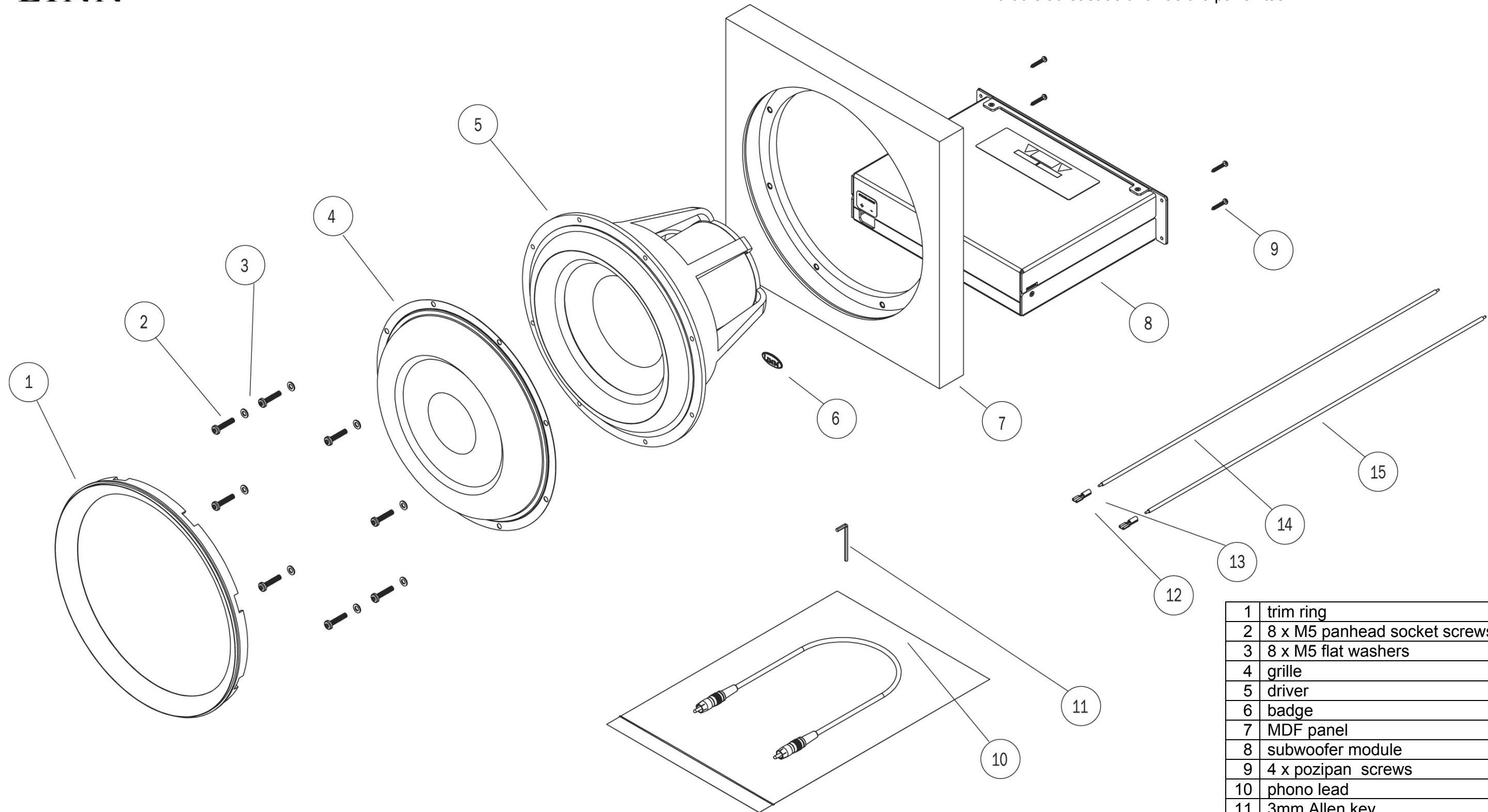




Some components in the SIZMIK KUSTOM kit are heavy, particularly the bass driver. When installing the SIZMIK KUSTOM please take adequate safety precautions. Linn Products Limited cannot be held responsible for personal injury or damage to property resulting from insufficient care being taken during installation.

If the bass driver is being fitted into a wall or ceiling, a safety cable or other suitable restraining device, should be fitted. One end of the cable should be secured to the bass driver, the other to a supporting timber or girder.

The MDF panel should be securely fitted onto a secure timber frame that is at least as thick as the panel itself.



Cabinet volume size

Sizmik 10.25 Min. 25 litres
 Sizmik 12.45 Min. 45 litres

1	trim ring
2	8 x M5 panhead socket screws
3	8 x M5 flat washers
4	grille
5	driver
6	badge
7	MDF panel
8	subwoofer module
9	4 x pozipan screws
10	phono lead
11	3mm Allen key
12	2 x spade terminals
13	2 x spade terminals covers
14	speaker wire
15	speaker wire