



MOBOTIX S15D with 2 sensor modules, each in PTMount

- S15D: Modular PoE network camera with max. two sensor modules for concealed installation (not included)
- All components weatherproof (S15D: IP65, sensor modules IP66), -30 to +60 °C/-22 to +140 °F
- Day and Night sensor modules can be freely combined
- Sensor module connection cables max. 2 m each (e.g., for indoors/outdoors)

PTMount for Optical MOBOTIX Sensor Modules

Manually adjustable dome mount for one optical MOBOTIX sensor module S15D/S14D (not included), freely adjustable along three axes, for wall, ceiling and upright installations

31.988_EN_V3_03/2015

Standard Delivery



Item	Count	Part Name
1.1	1	Sphere with rotating insert (installed)
1.2	1	Foot (installed)
1.3	1	Base plate (installed)
1.4	1	Swivel ring (installed)
1.5	1	Sealing
1.6	4	Washer Ø 4.3 mm, stainless steel
1.7	4	Wood screw 4x40 mm, stainless steel
1.8	4	Screw anchor S6
1.9	1	Allen wrench 2.5 mm

Adjustable Along Three Axes



Flexible Installation



Preparatory Steps

- Using the 2.5 mm Allen wrench, remove the two screws that hold the foot onto the swivel ring.
- Remove the swivel ring and the base plate.
- Make sure that there is enough space for installing the PTMount and that you can access it from the rear later on. The surface should be even and smooth so that the sealing lies flat properly.



- Drill the holes for the base plate (drilling template see Section «Dimensions/Drilling Template»).
- In the center of the drilling template, drill another hole into the wall or faceplate for the sensor cable. Since you will push the hinged ferrite through this hole later on, the hole should have a diameter between 15 and 35 mm.
- Insert the screw anchors into the holes, if required.



Installation of PTMount and Sensor Module

- Hold the sealing, the swivel ring and the base plate as shown in the figure.
- Attach the base plate using the supplied wood screws and washers.
- When tightening the screws, make sure that you can still rotate the swivel ring by hand.
- Carefully guide the sensor cable through the sealing, the swivel ring and the base plate, then attach the hinged ferrite to the cable.
- Push the sensor cable into the wall/ceiling so as to completely hide the ferrite.
- Guide the sensor cable from the back into the foot and the sphere.
- Use the two screws to affix the foot and sphere assembly to the swivel ring and make sure that the foot can still be rotated.
- Loosen the two fastening screws of the insert (1), then rotate the insert so that the small bar opposite of the TOP/OBEN label points to the hole of the grub screw (2).
- Secure the insert against rotating by tightening the two fastening screws using the 2.5 mm Allen wrench.



- Attach the sensor module cable to the sensor module (turn blue bayonet catch to the left and remove, pull out the plug, connect the sensor cable, apply bayonet catch and lock by turning to the right).
- Push the sensor module into the PTMount so that the MOBOTIX lettering is turned 90 degrees to the left vs. the TOP/OBEN lettering.
- Using the module wrench (red or black), lock the sensor module by turning it 90 degrees to the right.
- Secure the sensor module by tightening the grub screw using the 2.5 mm Allen wrench. The grub screw locks the sensor module within the insert and prevents inadvertent unlocking of the sensor module.
- Adjust the sensor module temporarily by pointing it into the desired viewing direction.
- Make sure that the TOP/OBEN label on the insert is pointing upwards. If this is not the case, loosen the two fastening screws using the 2.5 mm Allen wrench and rotate the insert. Lightly tighten the two fastening screws.



Continue to bring the camera into service as described in Section «Initial Operation S15D with PTMount».

Initial Operation S15D with PTMount

Step 1: Establish Network Connection and Power Supply

- Connect the network port of the camera to a router or switch (see *S15 Camera Manual*, Section «Network and Power Connection, Additional Cables»).
- If you do not use a PoE switch, establish the power supply of the camera (using a PoE Power Adapter/MX-NPA-Box).
- Configure the camera for your network (see *S15 Camera Manual*, Section «Manual and Automatic Operation»).

Step 2: Open User Interface in Browser

- Monitor the camera LEDs and make sure that the S15D is ready (green LED is on, red LED flashes slowly; see *S15 Camera Manual*, Section «Camera Startup Sequence»).
- Enter the IP address of the camera you determined in *Step 1* in the address bar of the browser.

Step 3: Adjust PTMount According to Live Image

- Adjust the sensor module by watching the live image of the camera.
Firmly tighten all screws of the PTMount!

Optional: Exchange the Sensor Modules in the Dual Image

- In the camera's browser interface, click on the **Admin Menu** button and in the **Hardware Configuration** section, open the **Image Sensor Configuration** dialog.
- You can use the **Left Sensor**, **Right Sensor** dropdown fields to select the sensor module (*External sensor Cam1*, *External sensor Cam2*) that will be shown at the left or at the right in the dual image.
- Close the dialog and save the configuration of the camera.



Exchanging a Sensor Module

Make sure the power supply to the camera is disconnected before installing or replacing a sensor module!

- If the small bar on the insert is not pointing towards the hole of the grub screw, add a mark at the present position. Remove the two fastening screws and rotate the insert so that the small bar points to the hole of the grub screw. Tighten the two fastening screws.



- Loosen the grub screw that locks the sensor module within the insert.



- Using the module wrench (red or black), unlock the sensor module by turning it 90 degrees to the left.



- Use the Allen wrench or a small screwdriver to lift the sensor module out of the insert as shown. Take care not to damage the sealing of the sensor module housing.



- Remove the bayonet catch and the sensor cable from the old module. Attach the sensor cable to the new sensor module (connect the sensor cable, apply bayonet catch and lock by turning to the right).

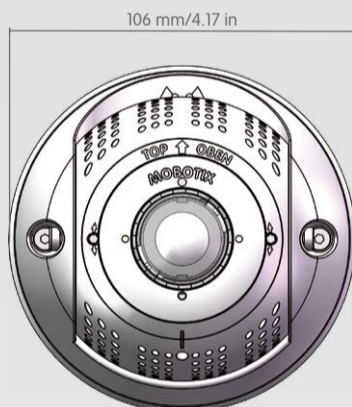
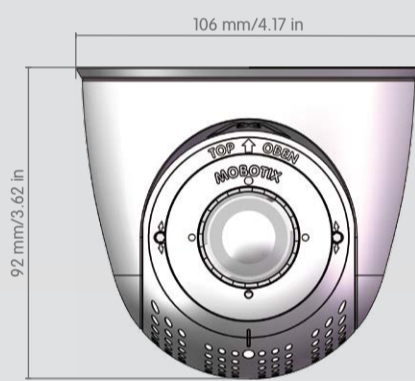
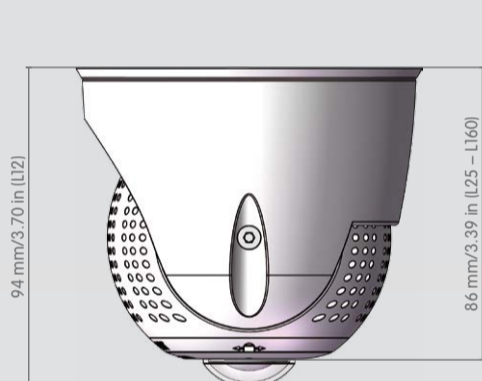


Insert the sensor module as described in Section «Installation of PTMount and Sensor Module». If required, rotate the insert to its original position and check the camera's live image as described in Section «Initial Operation S15D with PTMount». Tighten all screws you loosened before.

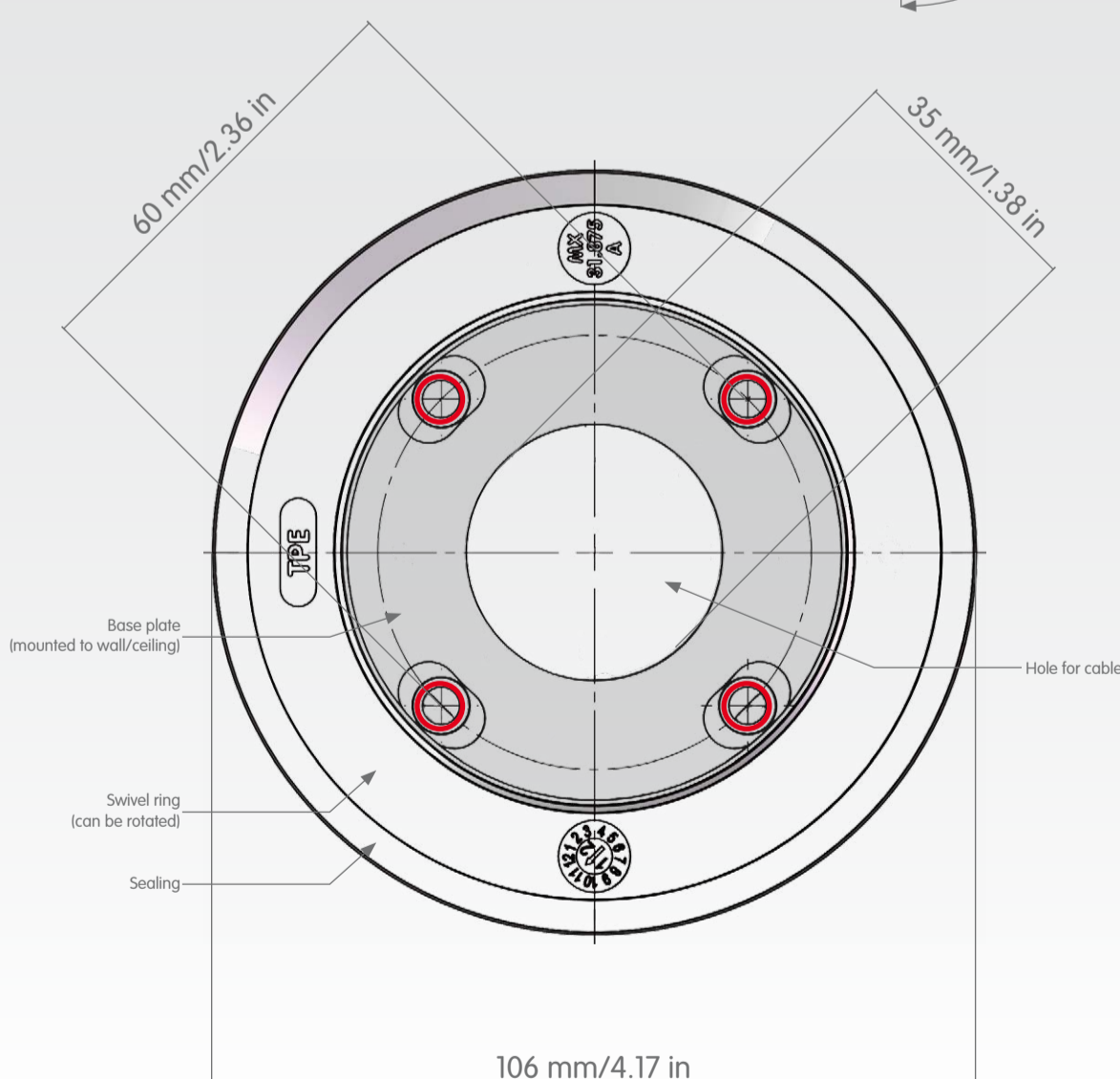
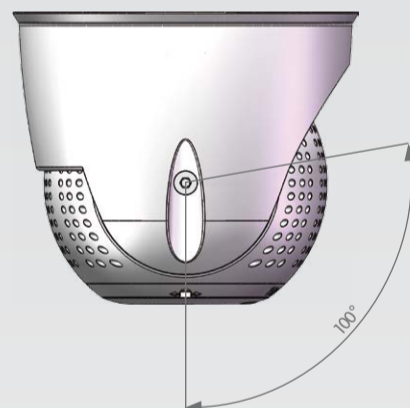


Example for wall installation

Dimensions/Drilling Template



Tilt angle of sphere



Notes

- This product must not be used in locations exposed to the dangers of explosion.
- Make sure that you install the S15D and this product as outlined in the installation instructions in this document and in *Chapter 2, «Installation»* of the *S15 Camera Manual* (www.mobotix.com > **Support** > **Manuals**).
- When installing this product, make sure that you are only using genuine MOBOTIX parts and MOBOTIX connection cables.
- Only install this product in or on suitable, solid materials that provide for a sturdy installation of the fixing elements used.
- The PTMount dome mount is only to be used in combination with the MOBOTIX S15D and MOBOTIX sensor module housing.
- Make sure that the operating temperature of -30 to +60 °C/-22 to +140 °F is not exceeded.

The MOBOTIX YouTube Channel
www.youtube.com/MOBOTIXAG

